

LUXYCLAD[®] Aluminum
Architectural
Systems

INSTALLATION MANUAL



76 RIDLEY ROAD
ST CATHARINES ON L2S 3Y8

www.luxyclad.com
1 877 255 1022

Materials Specification	Page 2 - 4
Product Information	
Handling	
Fastening Information	
Before you start	
Storage	
Installation Tips	
Safety Information	
Site Preparation	
Care and Maintenance	
Tools	Page 5
Cutting Tips	
Expansion & Contraction	Page 6
Material Behavior	
Common Mistakes to Avoid	
Design and Installation Tips	
Industry Standards and Guidelines	
Profile Minimum Bend Radius Table	Page 7
Components	Page 8
Horizontal Siding Installation	Page 9 - 19
Starter Strip & V-Groove Siding	
Outside Corner	
Inside Corner	
Flat Cap	
J-Trim	
Finishing Cap	
Vertical Siding Installation	Page 20 - 21
Wall at Corner with Ext. Insul'n + Vertical Siding Plan View	
Soffit Installation	Page 22 - 24
Wall at Soffit with Ext. Insul'n + Gable Roof Section View	
Wall at Soffit Flat Roof Section View	

Dear customer, congratulations on your purchase of this LUXYCLAD® product! Known for its outstanding qualities, LUXYCLAD® is a rear ventilated rain screen cladding system that is increasingly becoming the siding choice for homeowners, contractors, architects, and builders. Compared to other siding products, LUXYCLAD® is attractive, durable, easy to maintain, fire-resistant, recyclable, LEED compliant, impervious to insects, and does not bend, warp, rot or peel.

LUXYCLAD® is available in a variety of finishes, ranging from solid and metallic colours, to rich wood grain surfaces that simulate the look of real wood.

Please read the installation guidelines completely. The installation techniques in this manual describe and illustrate the steps involved in installing LUXYCLAD® siding, soffit, and trim. Their purpose is to provide detailed information and how-to tips that will simplify the installation processes.

LUXYCLAD® will not accept any liability or responsibility under its written warranty for product failure caused by application that does not meet the requirements for proper installation. These requirements are outlined throughout this document. Before you begin any siding project, you need to be aware of building code requirements in the geographic areas where you are working, and how the code relates to both the instructions given in this manual and by the siding manufacturer.

You must always observe the requirements of local building codes, as they represent the legal requirements for an installation in a given jurisdiction. However, most local codes are based on the national building code model. Model codes themselves do not have the force of law until they are adopted by a state or local jurisdiction. In the United States, the primary source of model codes is the International Code Council (www.iccsafe.org), which publishes the International Building Code (IBC) and International Residential Code (IRC).

In Canada, the primary model code is the National Building Code (NBC), published by the National Research Council of Canada (www.nrc-cnrc.gc.ca).

No instruction manual can anticipate all the questions or conditions that might arise during installation.

Recognizing this, we've focused on the tools and techniques used to complete typical installations.

If you encounter an installation situation not covered in this manual, we suggest you contact the LUXYCLAD® Sales Support Group at 1-877-255-1022.

The manufacturer has provided these suggested instructions as installation guidelines. The manufacturer, however, neither installs the panels nor has any control over the installation. It is the responsibility of the contractor and/or the installer to ensure panels are installed in accordance with these instructions and any applicable building codes. The manufacturer assumes no liability for either improper installation or personal injury resulting from improper use or installation.

These instructions are prepared for persons experienced in the field of soffit and siding installation and assume a foundation of working knowledge regarding the required tools and application process. LUXYCLAD® is a rear ventilated rain screen cladding system which meets the requirements of Part 9 of the Building Code, when installed according to these instructions.

In most applications, LUXYCLAD® does not require traditional rain screen furring, please refer to your local building code to verify the air gap required. However, additional horizontal furring is recommended for vertical installations.

LUXYCLAD® is very similar to vinyl siding and soffit installation with the exception of the cutting and flexibility. LUXYCLAD® requires more precision and time to install. **It is highly recommended that LUXYCLAD® be installed by an experienced professional.**

Before you start

→ Before installing any material, inspect it for breakage, foreign objects, surface defects, correct product, correct colour, and colour consistency. In addition, check for any wet or saturated product.

Do NOT install any questionable product!

If you find a siding defect, contact LUXYCLAD®'s Consumer Service Group immediately at: 1-877-255-1022.

If you elect to install questionable product and a manufacturing defect is not found to be the source of the problem, any claim may not be honoured.

Before you begin to work with LUXYCLAD® siding, it is important that you and the members of your crew have read and understood the information in this guide. Also, be sure to possess the right tools, fasteners, and accessories before you begin.

OSHA (Occupational Safety and Health Administration) requires workers to always use the appropriate PPE (Personal Protection Equipment). More information about personal protective equipment is available at:

www.osha.gov/SLTC/personalprotectiveequipment

Consult the Material Safety Data Sheet (MSDS) on our website, www.luxyclad.com, and a qualified industrial hygienist for further health and safety information related to this product.

An important note about LUXYCLAD® warranties:

Failure to comply with LUXYCLAD® installation instructions and/or applicable building codes may affect product performance and void the product warranty.

It is highly recommended to use a trained LUXYCLAD® independent installer, if available, or an installer who has previous experience installing similar premium siding and soffit systems.

Safety Information

→ When dealing with any type of construction project, it is necessary to wear appropriate safety equipment to avoid any risk of injury. LUXYCLAD® recommends: gloves, respiratory protection, long sleeves, pants, and safety glasses. More information about personal protective equipment is available at: **www.osha.gov/SLTC/personalprotectiveequipment**

Handling

→ It is recommended that siding and accessories be carried by two persons to avoid personal injury and/or damage to product. **All panels must be carried in the vertical position.** If handled incorrectly, the surface of prefinished boards may scratch. Do not slide boards **when removing them from the pallet**; sliding one board against the other may scratch the surface of the board below.

Storage

→ Store the cartons on a flat surface that supports the entire carton length. **Do not store LUXYCLAD® siding or trim directly on the ground.** If a covered area such as a garage is not available on the job site, place pallets on wood blocks to allow air flow underneath the pallet. Keep the cartons dry. If palletized LUXYCLAD® is to be placed on a damp surface, place a vapour barrier on ground underneath the pallet. Cover with plastic tarp or similar bonnet to keep the product dry and prevent moisture from settling. Store the cartons away from areas where falling objects or other construction activity may occur or cause damage. **Do not store the cartons in stacks that are more than 6 boxes high.**

Site Preparation

→ Prior to installation, verify that the substrate is clean, dry, level, and structurally sound. Inspect the surface for any damage, irregularities, or debris that could affect the installation or the performance of the system. Address any issues identified to ensure a proper and secure attachment of the panels.

Fastening Information

→ LUXYCLAD® is fastened using the aluminum rain screen clips provided with the product order.

These clips create the rear ventilation plane (air gap) and allow for movement caused by thermal expansion and contraction.

Use a 1-1/2" length, #8 screw with corrosion resistance suitable for the application and climate.

This will allow the product to be removed, if required, without damage.

Screws also allow the installer to "back off" the screw and shim to address substrate discrepancies.

This system allows for rain screen clips to be fastened every 32" O/C (on center).

For high wind areas, it is recommended to increase the fastening spacing to 16" O/C (on center).

Installation Tips

→ LUXYCLAD® soffit and siding is a tongue and groove installation. The ability to shim or spread each board by up to 1/16" allows you to compensate for framing discrepancies.

→ When mitering corners or creating butt joints, it is recommended to use touch-up pens to trace over the exposed cut during the install, in order to eliminate the possibility of metal glint. However, to reduce the look of glint entirely, it is recommended to use a finished end; in this scenario a touch-up pen is not required.

Care and Maintenance

→ The beauty of LUXYCLAD® is maintained with little effort. Although anything outdoor is likely to collect dirt, a heavy rain will often wash this dirt away and maintain the look of a clean LUXYCLAD® siding system.

It is also possible to wash our product using a garden hose. Do not use a pressure washer. If rain or hosing does not do a satisfactory job, follow these simple instructions:

1. Use an ordinary, long-handled car washing brush. This brush has soft bristles with handles to fasten onto the end of a hose, allowing the siding to be washed similarly to a car. Avoid using stiff bristle brushes or abrasive cleaners that may change the gloss of the cleaned area and/or cause the siding to appear splotchy.

2. When washing down an entire house or building, start at the bottom and work up to the top in order to prevent streaking. Rinse cleaning solution with water before it dries on the material.

If your house or building consists of any brick or stone cladding, cover this material to ensure it is not affected by any run-off.

3. Follow the precautionary labeling instructions on the cleaning agent container. Protect shrubs and other foliage from direct contact with cleaning agents.





4. To remove soot and grime found in industrial areas, wipe down the siding with a mild detergent (PH-6-7) made up of the following:

- 1/3 cup powdered detergent (e.g. Fab, Tide, or equivalent powder detergent)*

- 2/3 cup powdered household cleaner (e.g., Soilax, Spic & Span, or equivalent)*

- 1 gallon of water

Tools and Hardware for LUXYCLAD® Installation

	<p>To cut LUXYCLAD® use a compound Mitre saw and a small table saw, with a blade for non-ferrous materials.</p>
	<p>Dewalt DW 3229-12" 80T non-ferrous metal cutting blade Holes for pot lights up to 4" - use appropriate hole saws.</p> <p>Note: Larger holes will require a jigsaw. Protect surface prior to cutting holes.</p>
	<p>LUXYCLAD® is fastened using the aluminum rainscreen clips provided with the product order. These clips create the rear ventilation plane (air gap) and allow for movement cause by thermal expansion and contraction.</p> <p>Use a 1-1/2" length, #8 screw with corrosion resistance suitable for the application and climate. This will allow the product to be removed, if required, without damage. Screws also allow the installer to "back off" the screw and shim to address substrate discrepancies. This system allows for rain screen clips to be fastened every 32" O/C (on center). For high wind areas, it is recommended to increase the fastening spacing to 16" O/C (on center).</p>
	<p>Common hand tools, such as squares, chalk lines, levels, and tape measures are needed for proper installation.</p>

Cutting Tips

→ LUXYCLAD® is a finished material, complete upon installation. To ensure a high-quality, long-lasting result, careful handling during cutting is essential. The following tips will help you achieve a professional finish:

1. Use the Right Tools:

Utilize a compound miter saw and a small table saw equipped with blades designed for non-ferrous materials.

This ensures clean cuts and minimizes damage to the surface.

2. Protect the Finish:

Tape the face of the trim saw surface and the table saw surface before cutting to prevent marring and scratches.

Taping helps maintain the appearance of the finish and reduces the need for touch-up.

3. Cutting Orientation:

Cut face up whenever possible.

Cutting face up provides a cleaner edge and reduces the risk of damaging the visible surface.

4. Touch-Up After Cutting:

Use touch-up pens (available in light and dark shades) to cover exposed aluminum ends and scratches.

This maintains the aesthetic quality of the finished product.

5. General Care:

Handle with care during installation to avoid dents or scratches.

Properly protected and cut panels will result in a premium, maintenance-free appearance for years to come.

Aspect	Details
Material	Aluminum (LUXYCLAD®)
Coefficient of Expansion	5.6 mm (1/4") per 7.3 m (24 ft) for a temperature change of 30°C (86°F)
Typical Temperature Range	From 8°C (46°F) to 38°C (100°F), or a 30°C (86°F) change
Expansion/Contraction Movement	<ul style="list-style-type: none"> • Expansion: Up to 5.6 mm (1/4") over 7.3 m (24 ft) during temperature increase • Contraction: Same amount during cooling
Example Calculation	<ul style="list-style-type: none"> • Installed at 8°C (46°F) • Temperature rises to 38°C (100°F) • Length expands by approximately 1/8" (~3 mm)
Installation Recommendations	<ul style="list-style-type: none"> • Allow for movement: Fit LUXYCLAD® to the midpoint of coverage in trim pieces to facilitate expansion and contraction • Avoid confinement: Do not fasten profiles and trim profiles together, as this restricts movement • Secure properly: Install one fastener at the midpoint (through the profile fastening area) to prevent migration and buckling
Important Notes	<ul style="list-style-type: none"> • Confined installation at both ends can cause waving, buckling, or damage due to thermal movement • Proper installation is crucial for maintaining appearance and structural integrity over temperature variations

Material Behavior

→ Aluminum is a highly durable yet flexible metal that responds predictably to temperature fluctuations. Its linear expansion coefficient means that even small temperature variations can produce noticeable movement in long spans of siding or soffit. Proper design and installation are essential to prevent damage such as warping, waving, or buckling.

Design and Installation Tips

→ Always leave a gap or slack at the ends of profiles to accommodate expansion and contraction.

Install fasteners at the midpoint of each profile, not at the edges, to allow free movement. Use flexible sealing or joint materials at expansion points to accommodate movement without compromising weather tightness.

Common Mistakes to Avoid

→ Over-tightening fasteners, which restrict movement and cause deformation.

Fixing profiles at both ends without allowances, leading to buckling during temperature swings.

Failing to account for seasonal temperature changes in design planning.

Industry Standards and Guidelines

→ Refer to industry standards such as the Aluminum Association's guidelines for thermal expansion or local building codes that specify expansion allowances for exterior cladding.

LUXYCLAD® Profile Type / Profile Face Width	Panel/Material Thickness (approx.)	Calculation (Thick x 10-20)	Estimated Minimum Bend Radius	Remarks
4" Profile	0.45" (11.4 mm)	0.45" x 10 = 4.5" 0.45"x 20 = 9"	6"	Conservative estimate (~10x thickness)
6" Profile	0.47" (11.9 mm)	0.47" x 10 = 4.7" 0.47"x 20 = 9.4"	6.5"	Use 10x for practical bending
6" Channel	0.45" (11.4 mm)	0.45" x 10 = 4.5" 0.45"x 20 = 9"	6"	Conservative estimate (~10x thickness)
Perforated 4" V- Groove soffit	0.47" (11.9 mm)	0.47" x 10 = 4.7" 0.47"x 20 = 9.4"	6.5"	Similar to V-Groove profiles
Flat Cap	~0.55" (14 mm)	0.55" x 10 = 5.5" 0.55"x 20 = 11"	8"	Larger profile, more flexibility
1" Outside Corner	0.53" (13.5 mm)	0.53" x 10 = 5.3" 0.53"x 20 = 10.6"	8"	Standard corner profile
1.7" Outside Corner	0.66" (16.6 mm)	0.66" x 10 = 6.6" 0.66" x 20 = 13.2"	10"	Larger corner, bigger radius
1" Inside Corner	0.51" (13 mm)	0.51" x 10 = 5.1" 0.51"x 20 = 10.2"	8"	Typical inside corner
Flat Trim Base	0.47" (11.9 mm)	0.47" x 10 = 4.7" 0.47"x 20 = 9.4"	6.5"	Trim base profile

Understanding the Bending Radius Estimate

→ The values provided in the table are initial estimates based on the general guideline: 10 to 20 times the profile thickness. This rule is a widely used engineering principle in construction and manufacturing industries to estimate the minimum bend radius for sheet metal particularly aluminum without causing damage such as cracking, warping, or excessive deformation.

What is the Minimum Bend Radius?

It is the smallest radius a material can be bent without incurring damage. The profile thickness refers to the thickness of the sheet or profile being bent (e.g., 0.45 inches or 11.4 mm).

Why Use 10-20 Times the Profile Thickness?

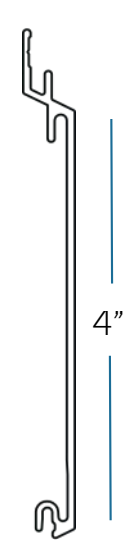
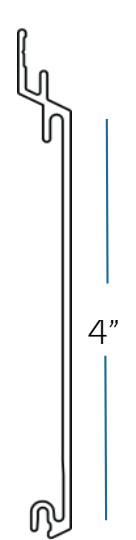
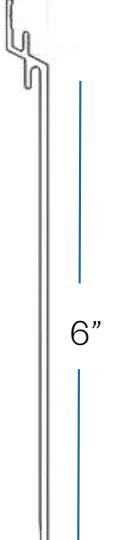
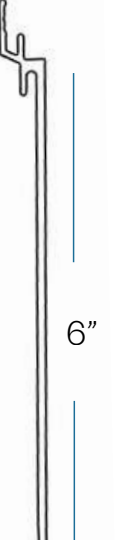

- 10x (or 10 times the profile thickness): Represents a more aggressive bend, suitable for very flexible materials or profiles with high bendability. However, this comes with a higher risk of damage if the material isn't sufficiently ductile.
- 20x (or 20 times the profile thickness): Offers a safer, more conservative bend radius that minimizes the risk of cracking, deformation, or other damage, especially for less ductile aluminum.

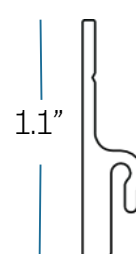
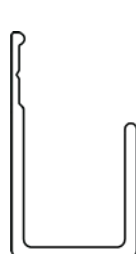
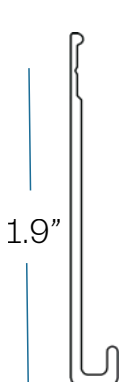
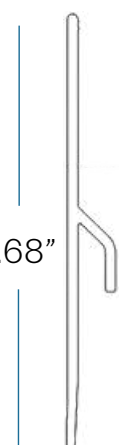
Summary:

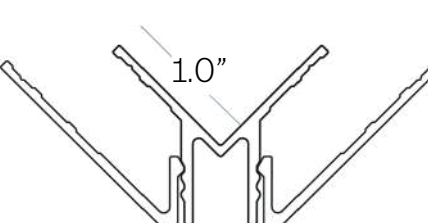
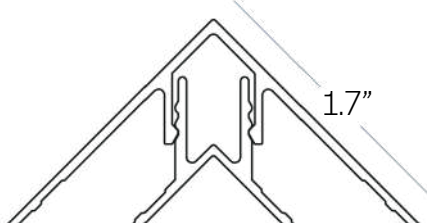
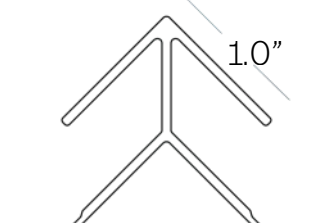
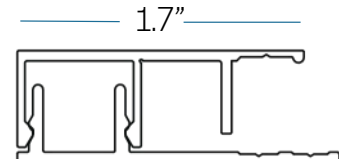
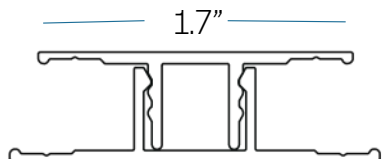
The "10-20 times the profile thickness" rule offers a practical starting point for estimating the minimum safe bend radius when working with aluminum profiles. It is important to note that these are approximate values. For precise applications, physical testing or guidance from the manufacturer should be used to confirm the optimal bend radius.

Note:

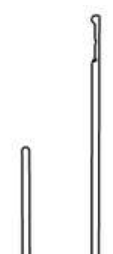
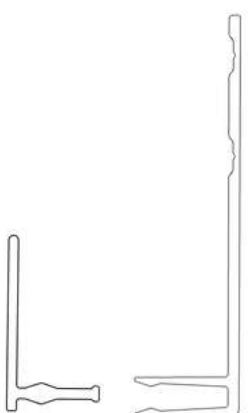
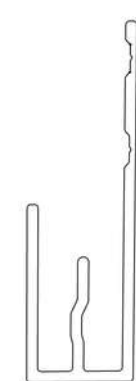
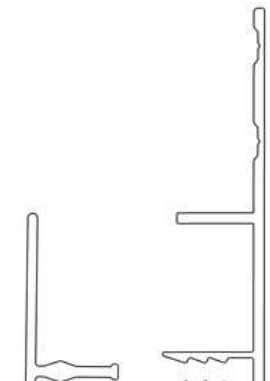
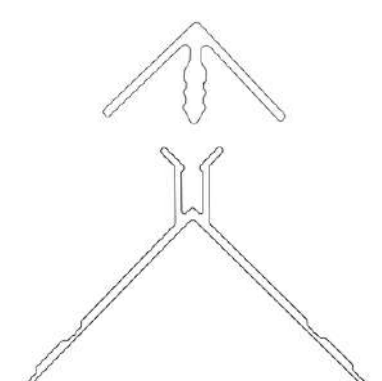
These estimates provide a useful reference for planning installation and fabrication, but actual bending should be verified through material testing or consultation with the profile manufacturer to ensure safety and integrity.

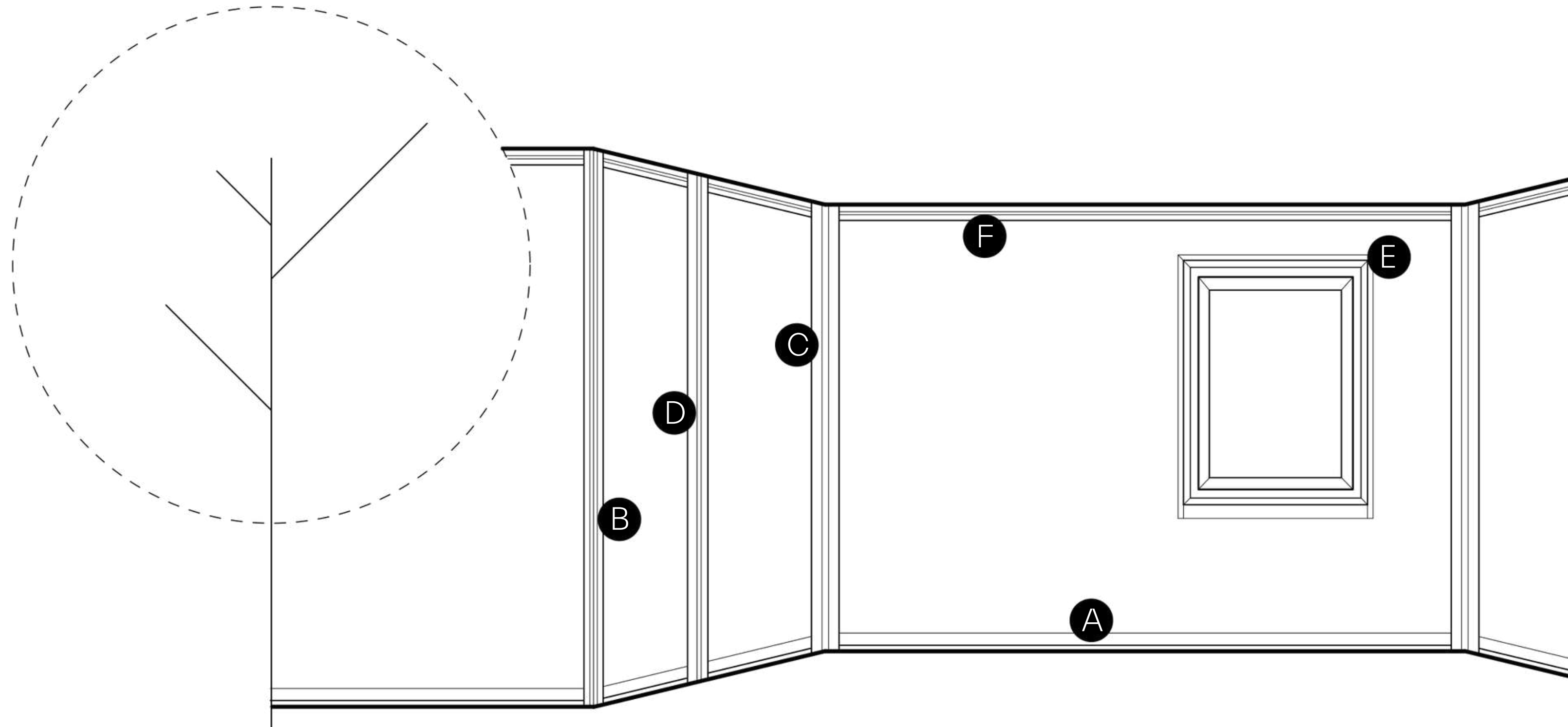
V-Groove Perforated Soffit LENGTH: 12'	V-Groove Siding & Soffit LENGTH: 24'	V-Groove Siding & Soffit LENGTH: 24'	Flush Panel LENGTH: 24'	Channel LENGTH: 24'
				

Rain Screen clip LENGTH: 12'	J-Trim LENGTH: 12'	Starter Strip LENGTH: 12'	Splicer LENGTH: 12'
			

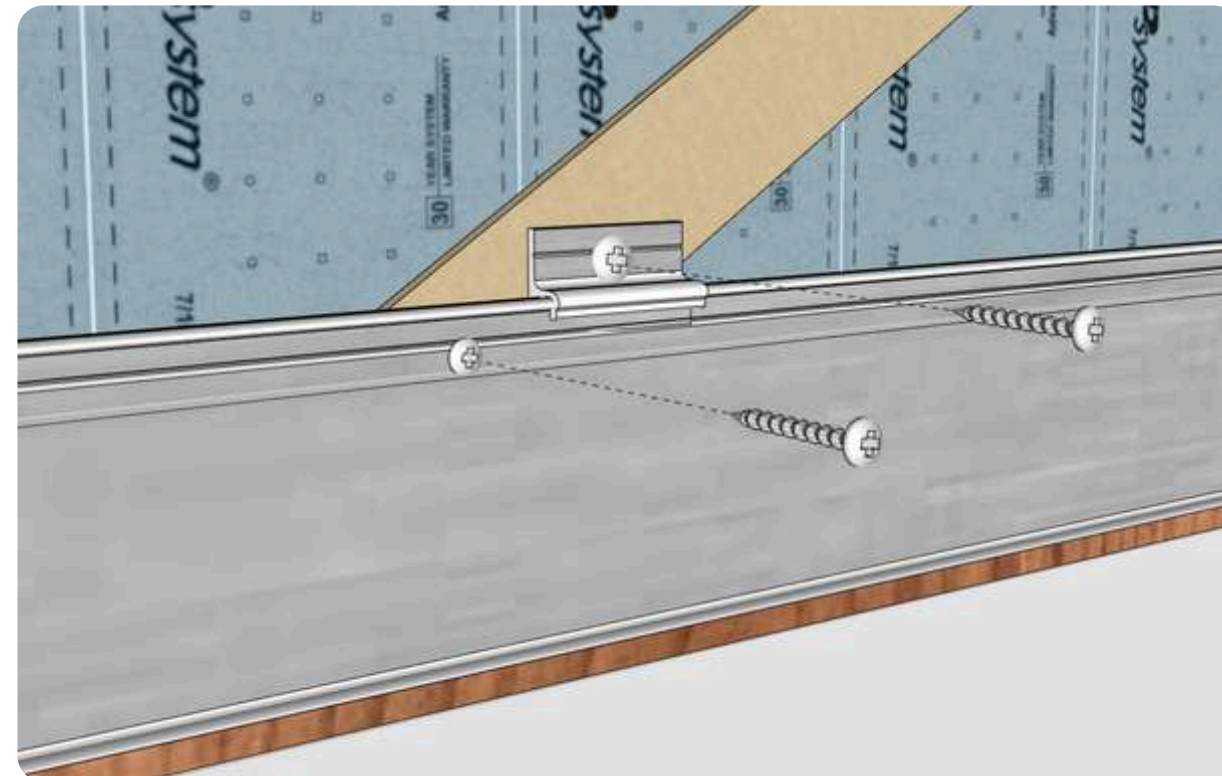
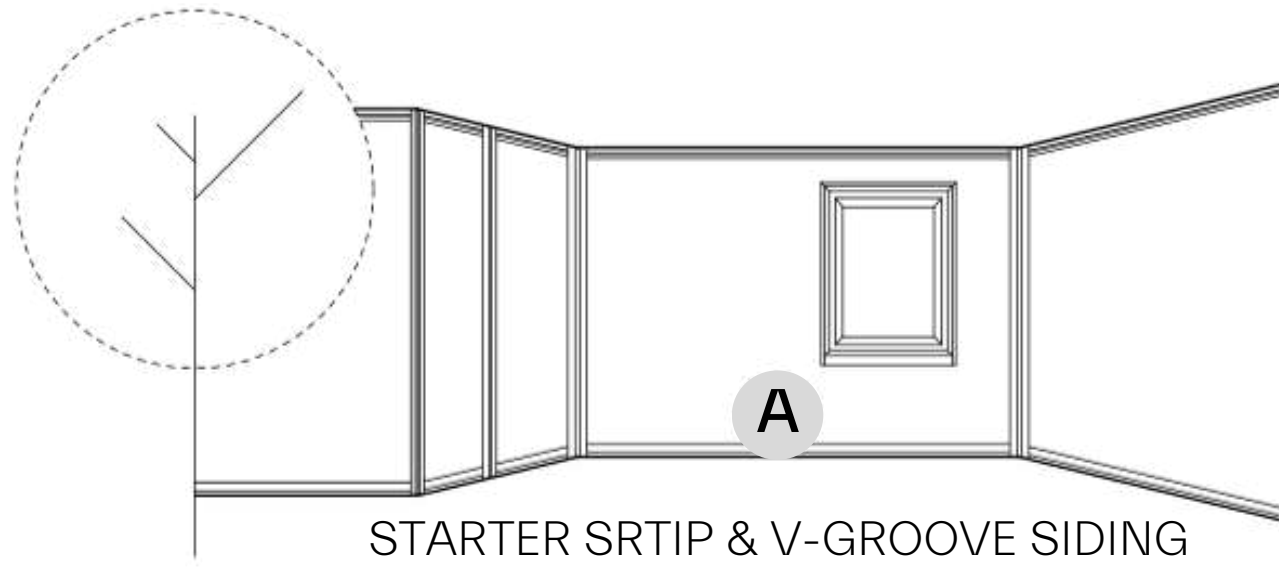
Inside Corner LENGTH: 12'	Outside Corner 2 Piece LENGTH: 12'	Outside Corner 1 Piece LENGTH: 12'	Finishing Strip LENGTH: 12'	Flat cap LENGTH: 12'
				

New 1" Precision Trims

J-Trim LENGTH: 12'	J-Trim Base + Cap LENGTH: 12'	J-Trim Starter Strip LENGTH: 12'	Finishing Cap + Base LENGTH: 12'	Outside Corner + Base LENGTH: 12'
				



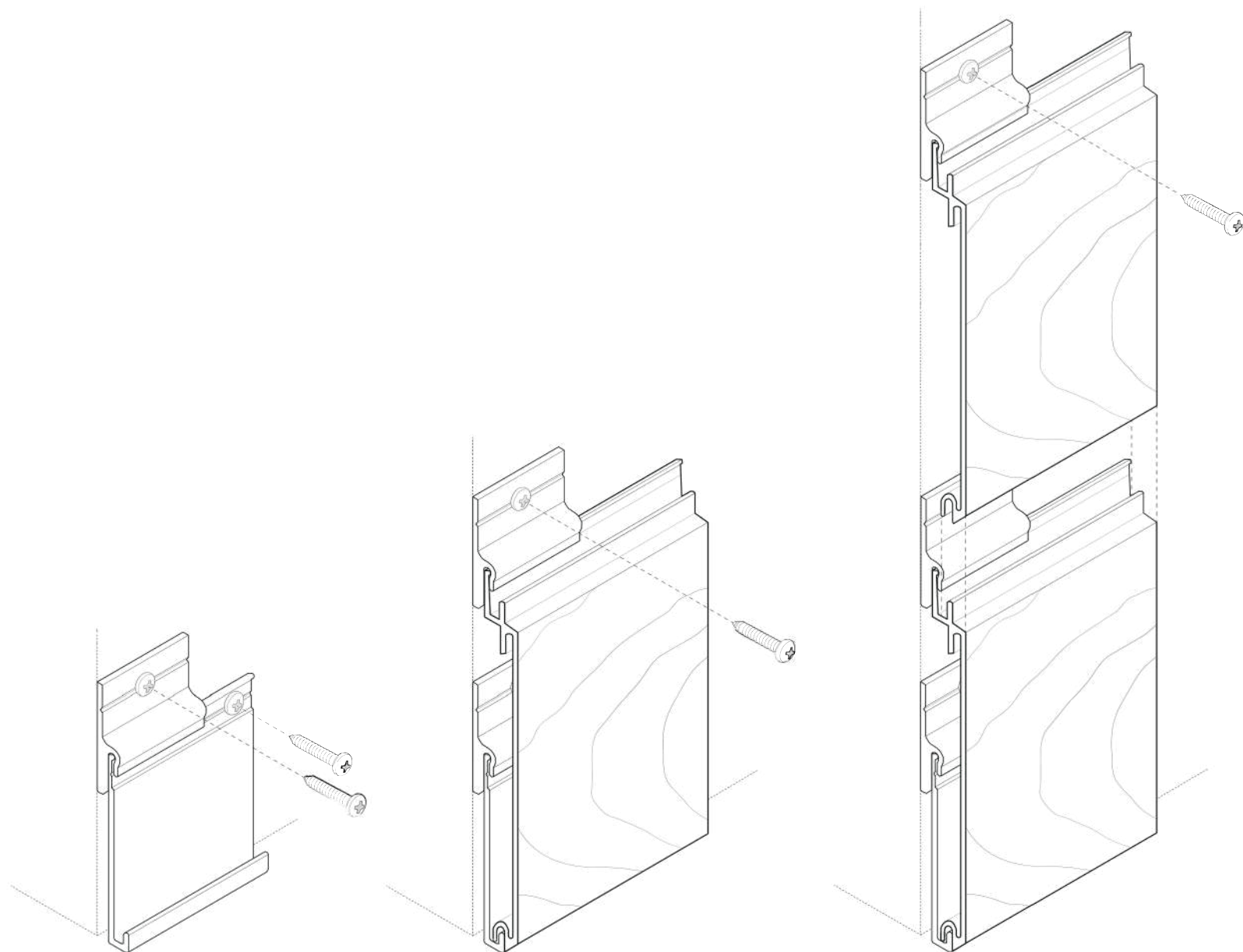
- A** STARTER STRIP & V-GROOVE SIDING
- B** OUTSIDE CORNER
- C** INSIDE CORNER
- D** FLAT CAP
- E** J-TRIM
- F** FINISHING CAP



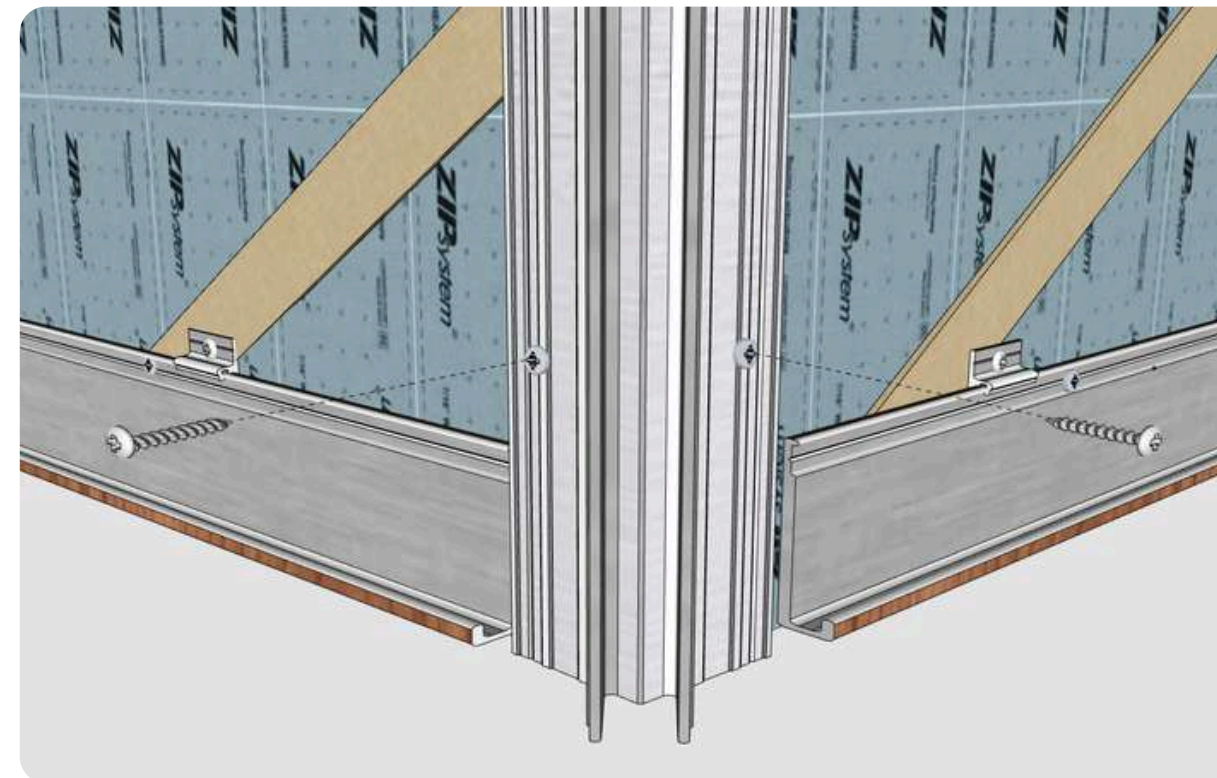
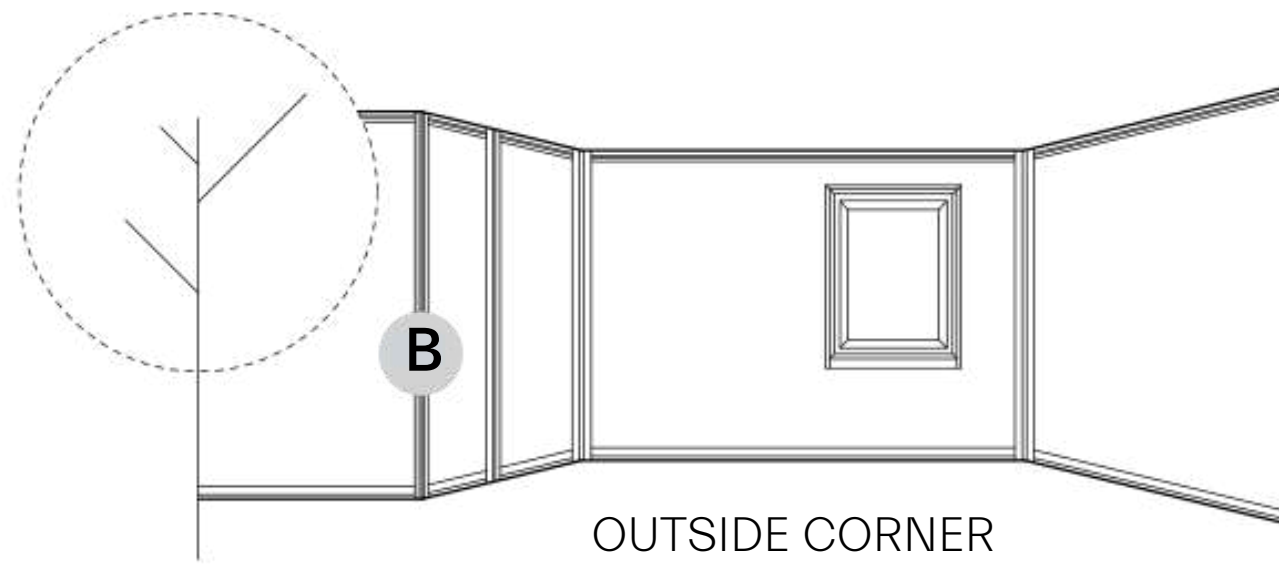
Hard fastening LUXYCLAD® Starter Strip with rain screen clips every 16" on center for proper ventilation. Add an additional screw next to each clip to support the load of cladding.



Insert siding into the starter strip and apply downward pressure on the board while securing the rain-screen clip, and then fasten the board with the rain-screen clip and screw.

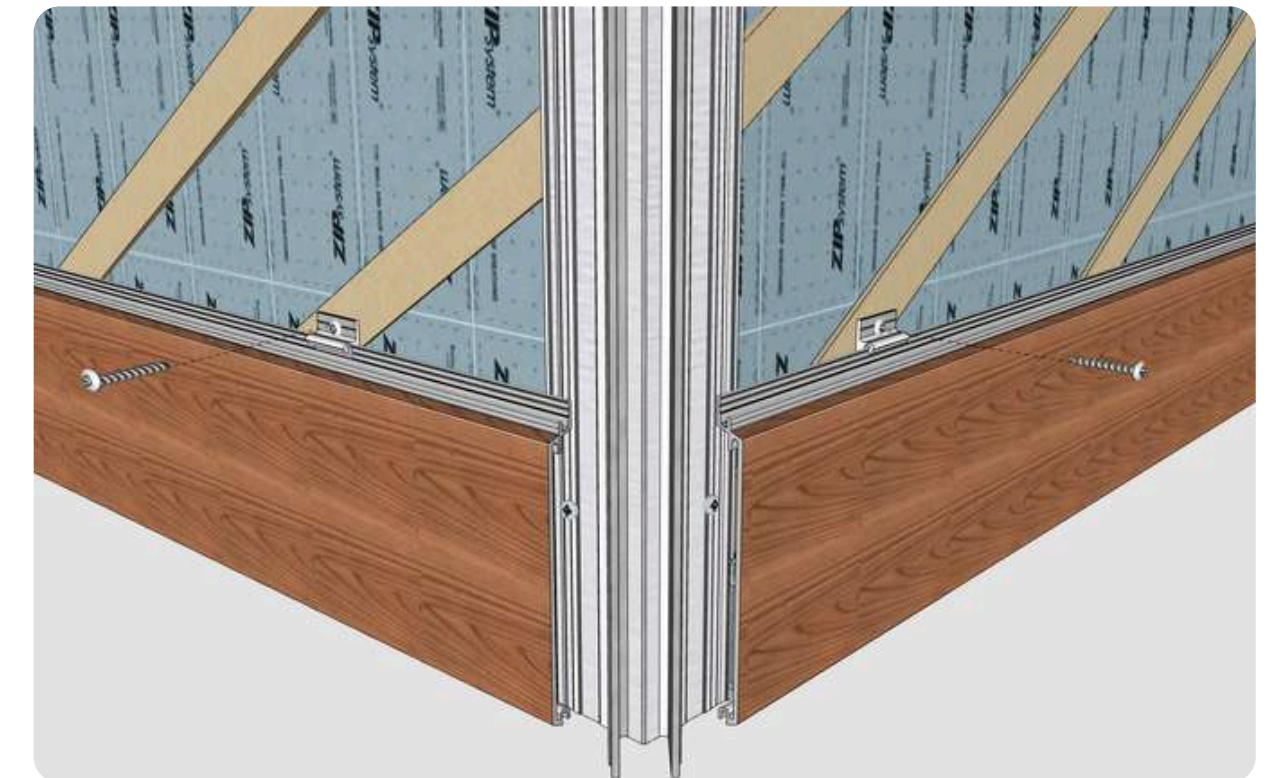


Continue with all the siding until completed



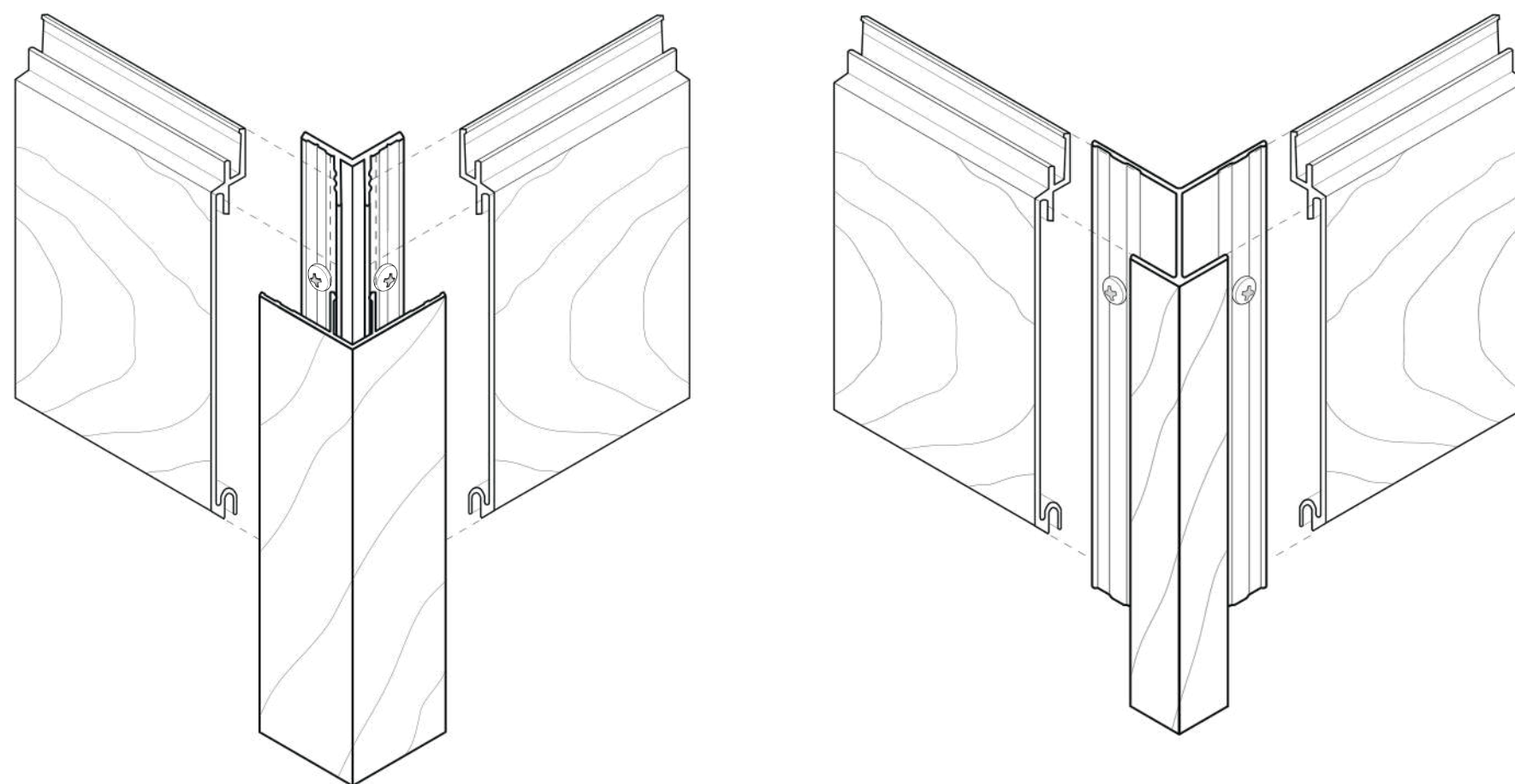
Hard fastening the LUXYCLAD® Outside Corner Base with #8 Pan Head Screws.
 Hard fastening LUXYCLAD® Starter Strips with rain screen clips every 16" on center for proper ventilation.

NOTE: Do not overlap Starter Strip on Outside Corner Base.

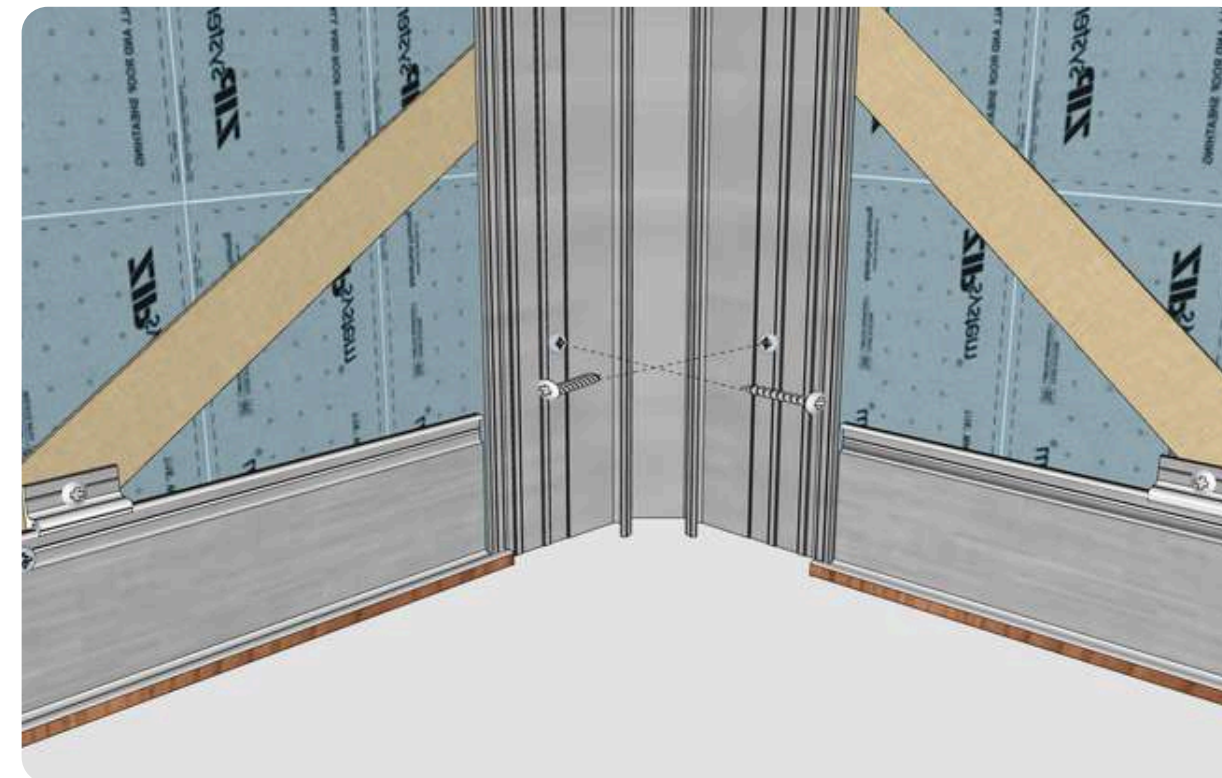
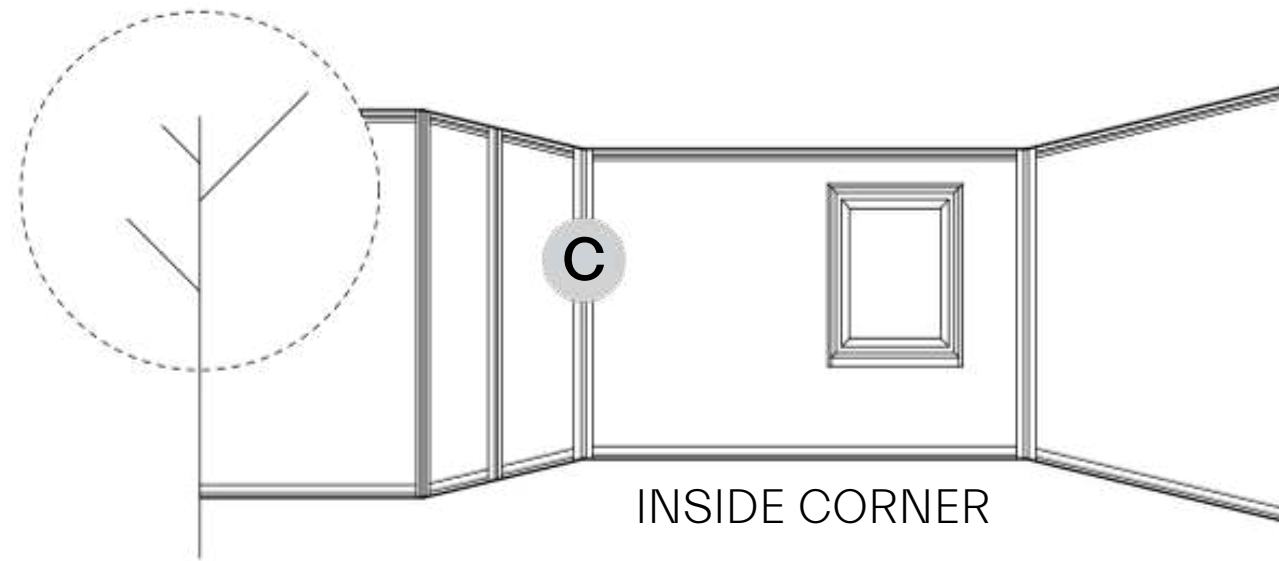


Ensure that screws do not interfere with top support of siding piece by drilling screws below alignment of top support or setting screws flush into trim base.

Continue with all the siding until completed.



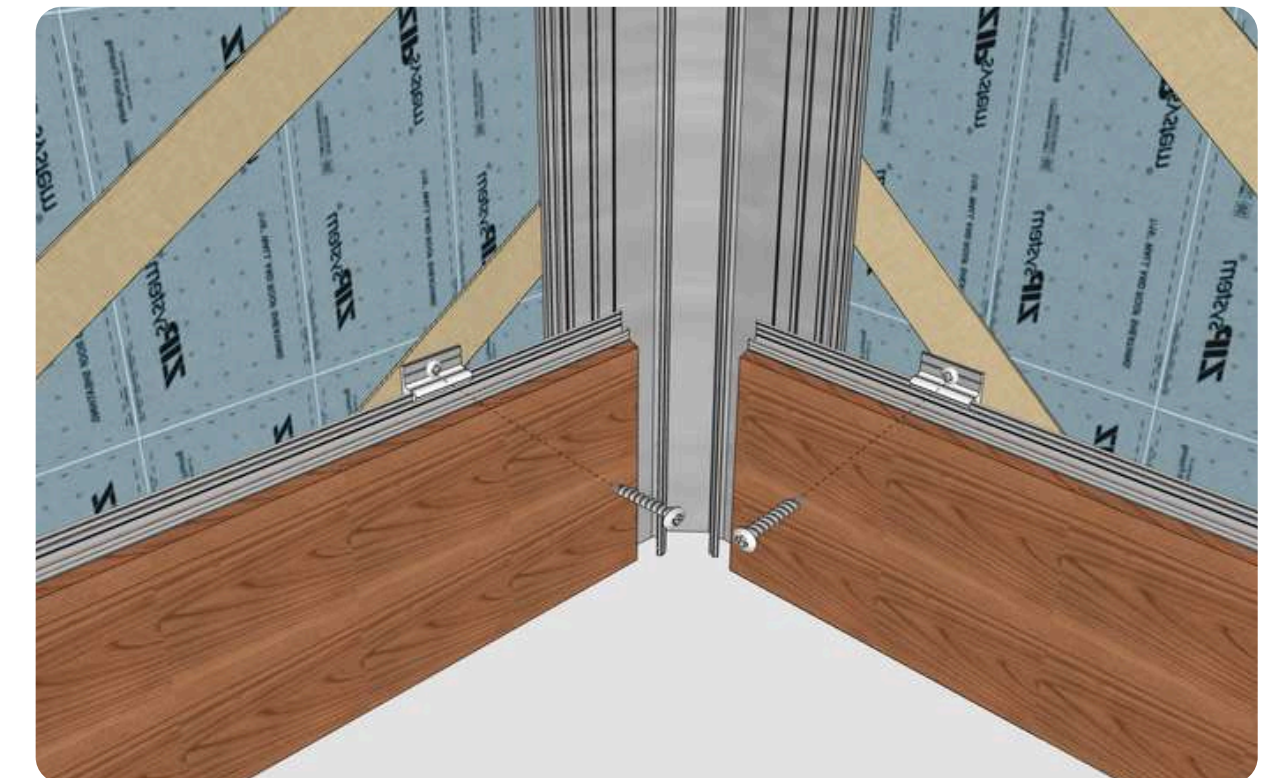
Apply the final Outside Corner Cap.
 Be sure to use a tool that will not damage the finish, when driving the Outside Corner Cap into the Outside Corner Base.



Hard fastening the LUXYCLAD® Inside Corner Base with #8 Pan Head Screws.

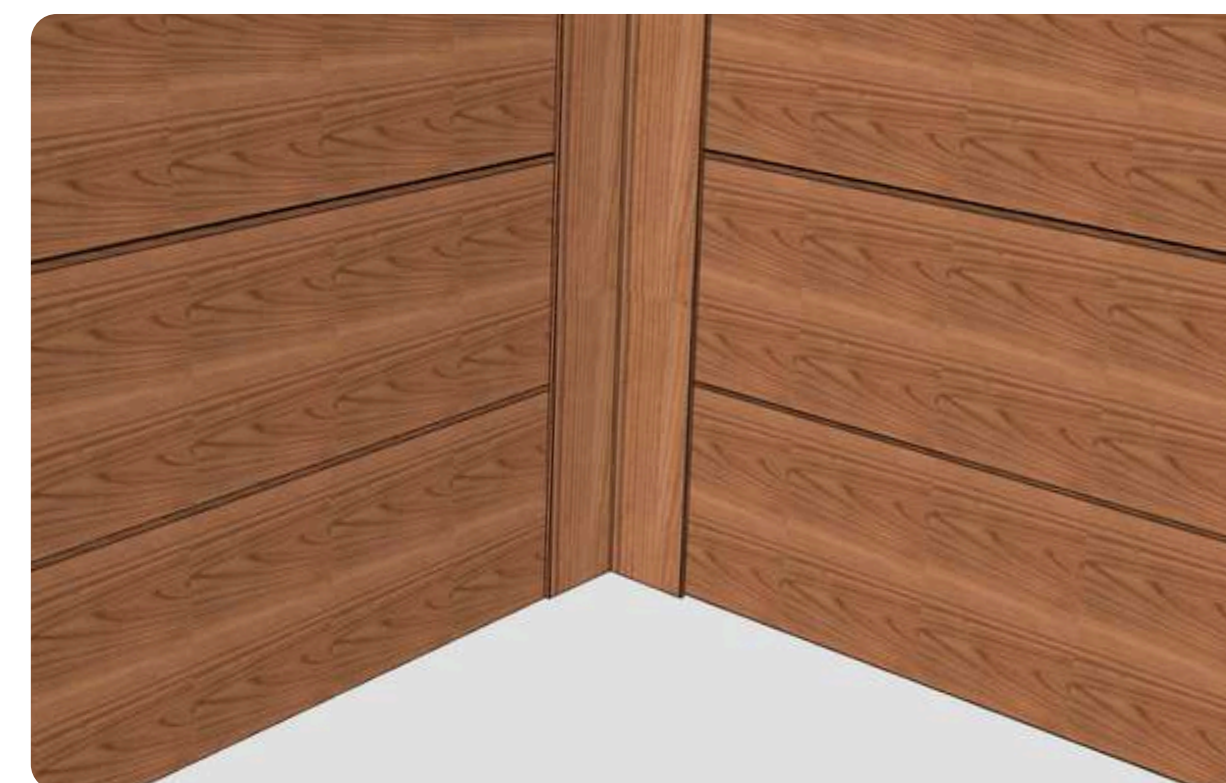
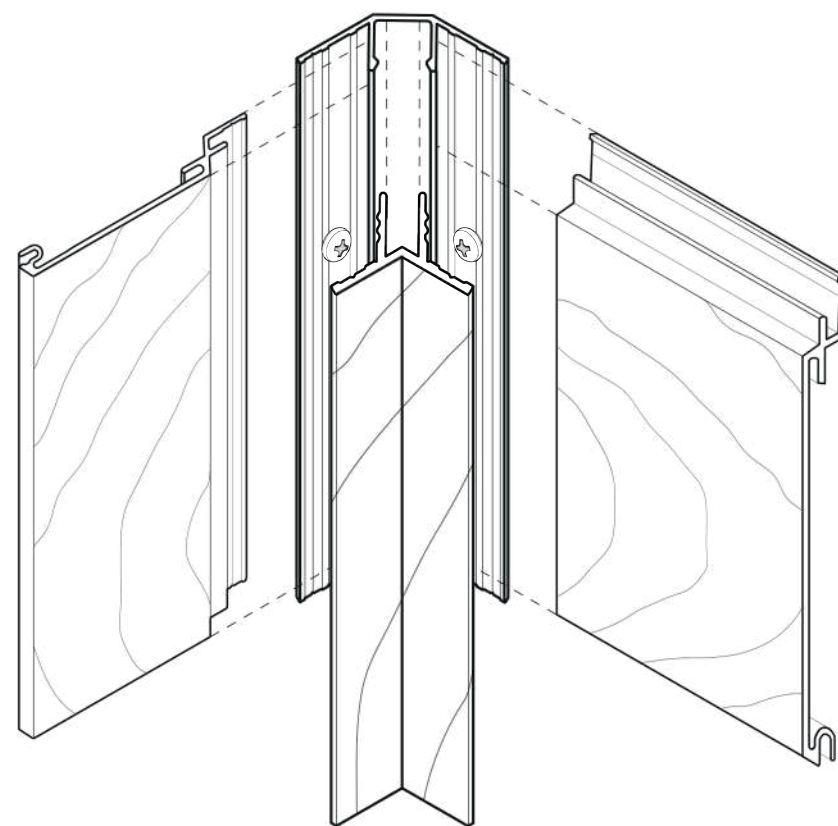
Hard fastening LUXYCLAD® Starter Strips with rain screen clips every 16" on center for proper ventilation.

NOTE: Do not overlap Starter Strip on Inside Corner Base.



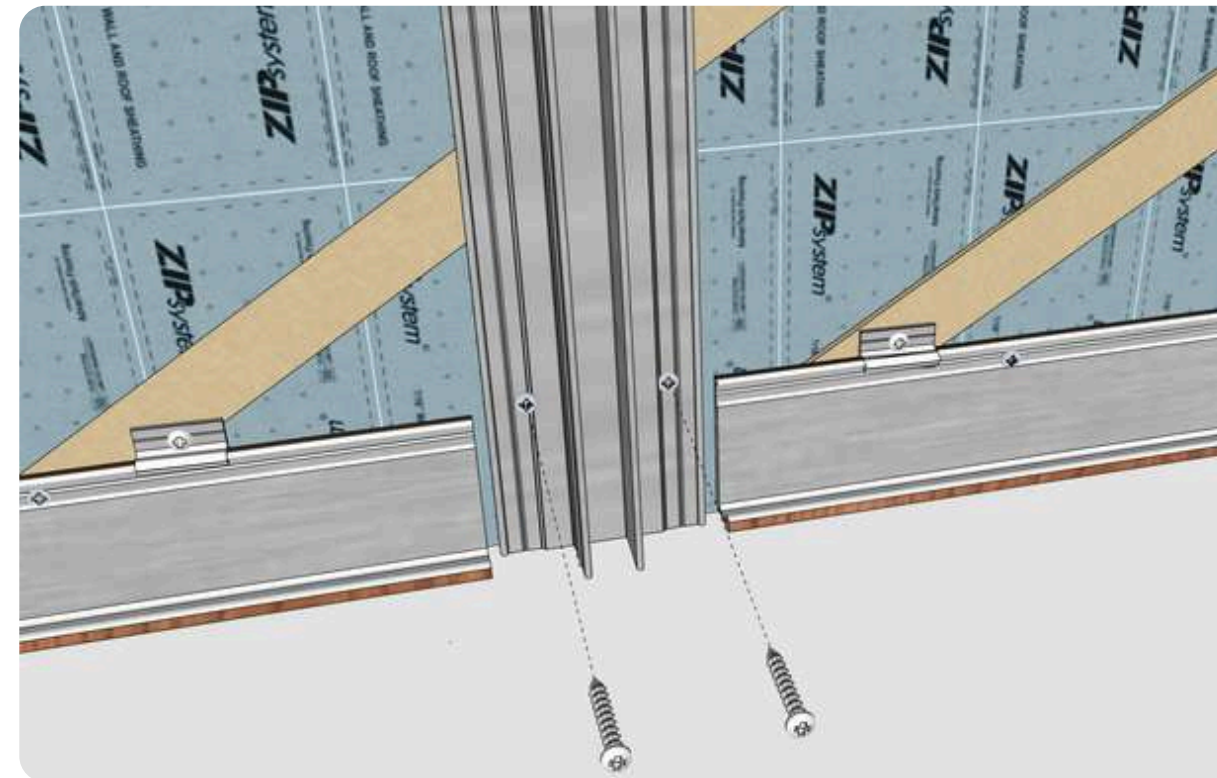
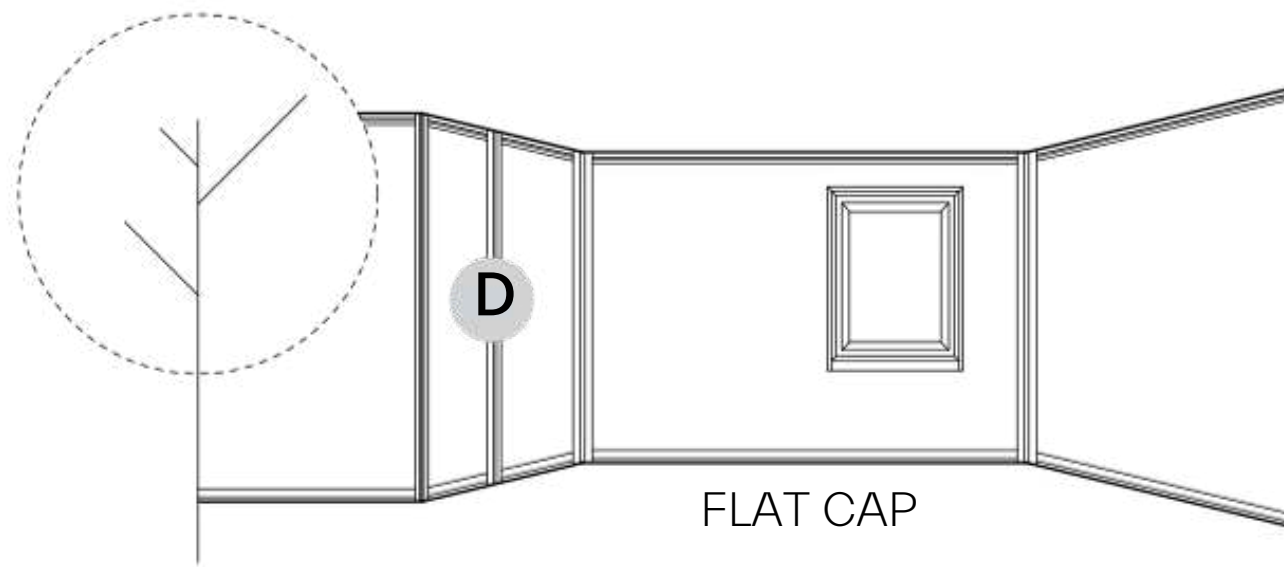
Ensure that screws do not interfere with top support of siding piece by drilling screws below alignment of top support or setting screws flush into trim base.

Continue with all the siding until completed.



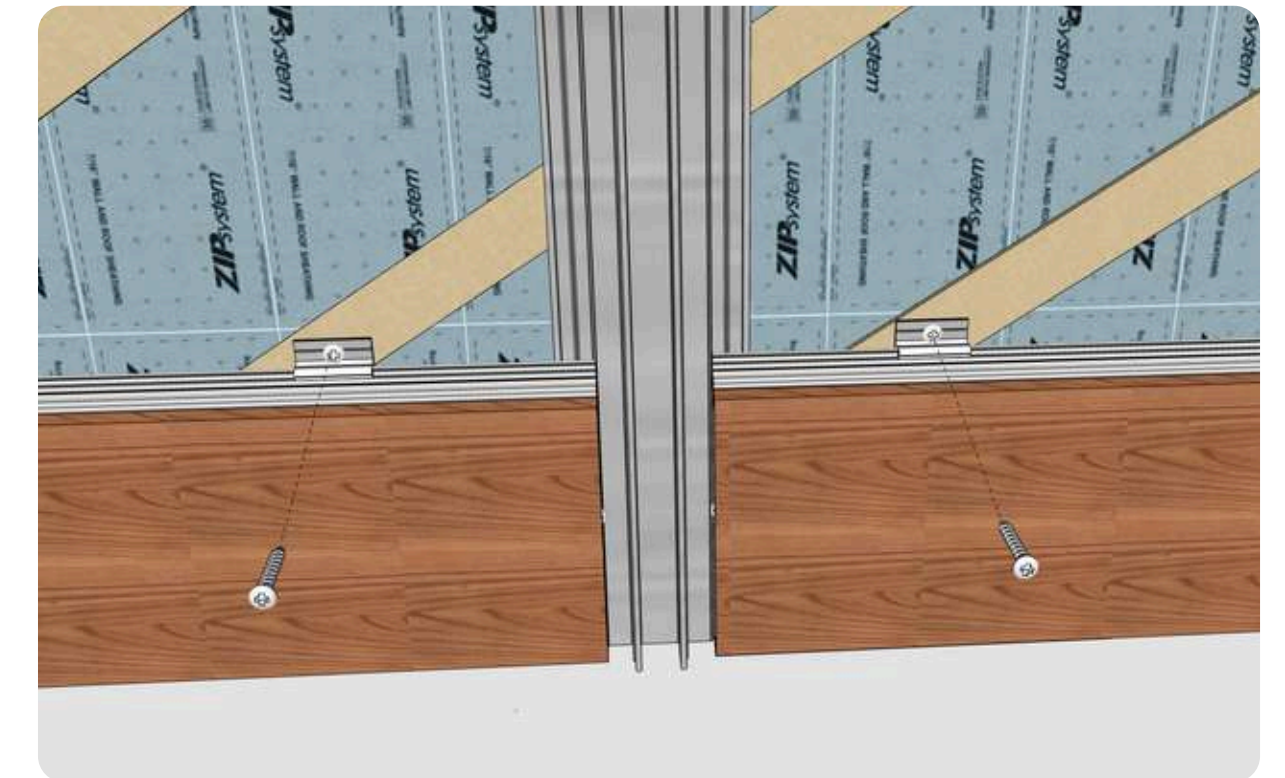
Apply the final Inside Corner Cap.

Be sure to use a tool that will not damage the finish, when driving the Inside Corner Cap into the Inside Corner Base.



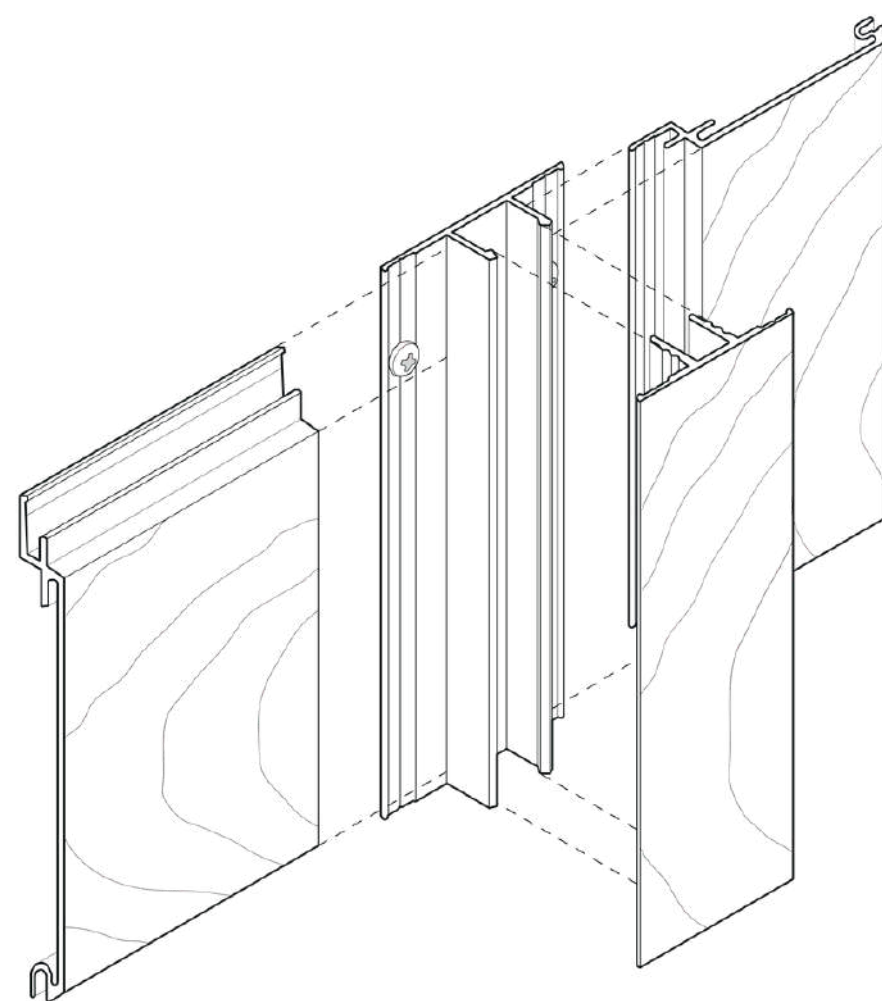
The LUXYCLAD® 1.7" flat cap & base system conceals areas where two pieces of siding meet and is recommended for spans of siding over 24" long. The base piece is fastened to the wall prior to siding with #8 Pan Head Screws.

NOTE: Do not overlap Starter Strip on Flat Base.



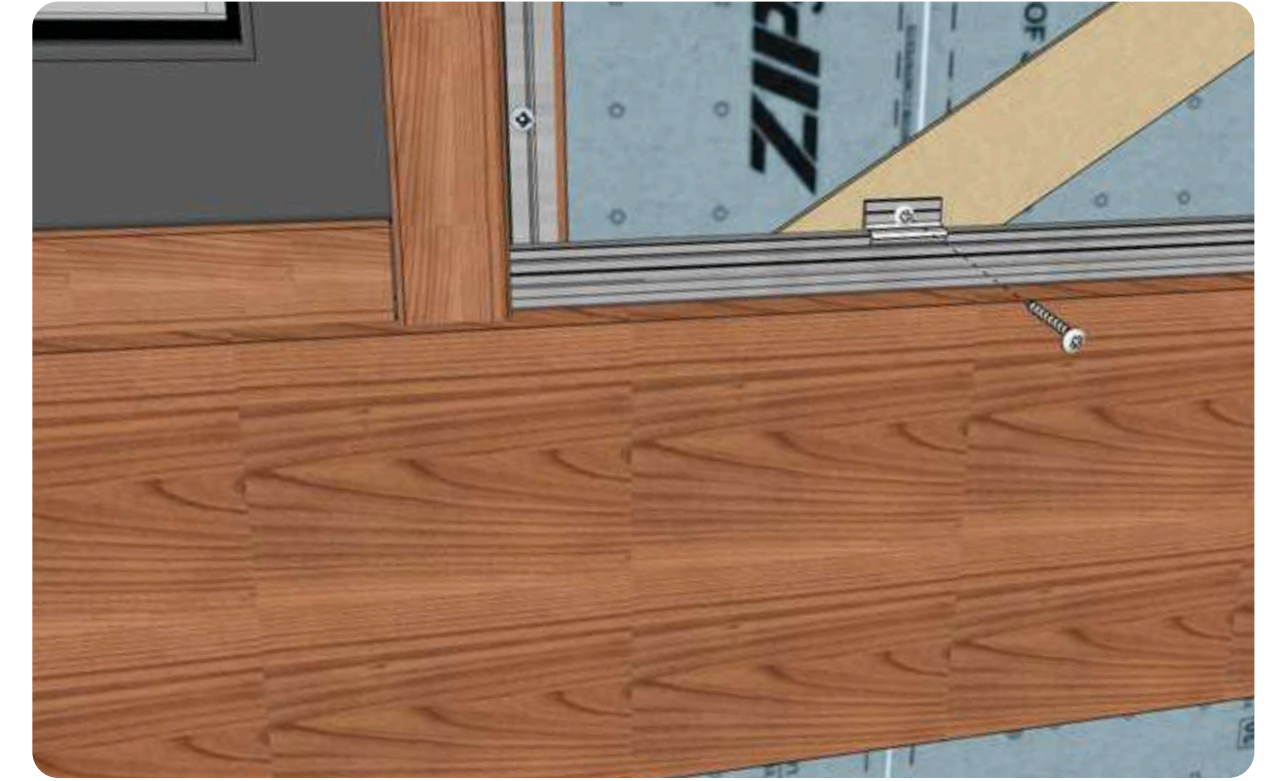
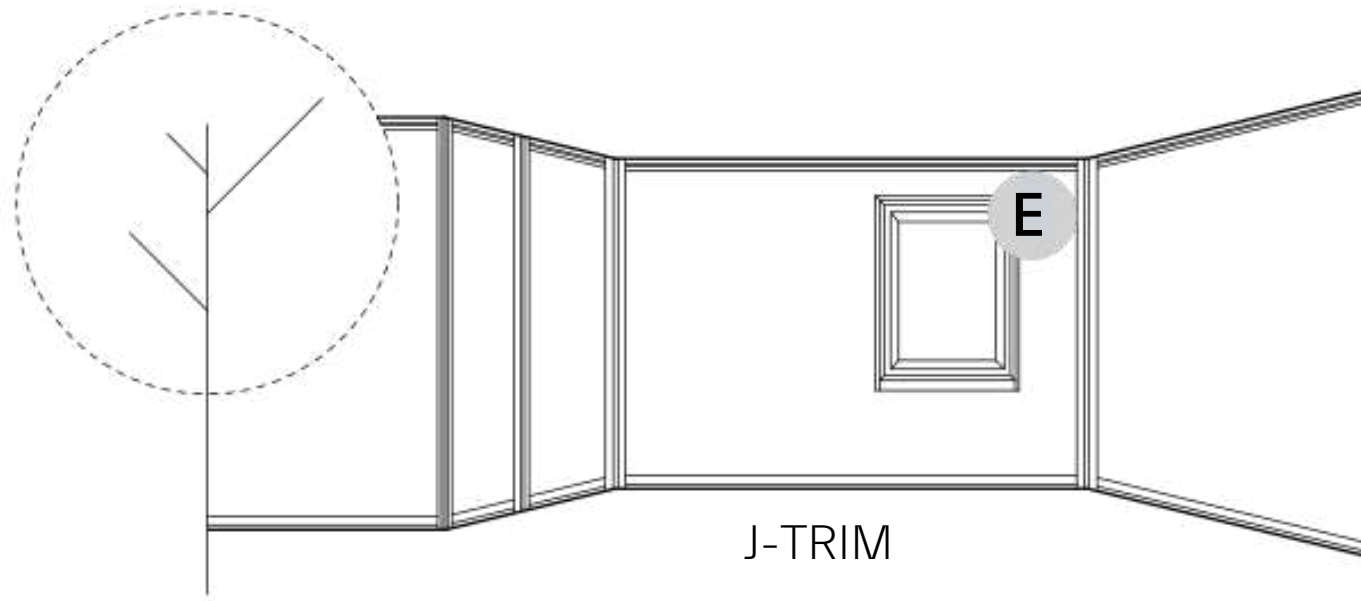
Ensure that screws do not interfere with top support of siding piece by drilling screws below alignment of top support or setting screws flush into trim base.

Continue with all the siding until completed.



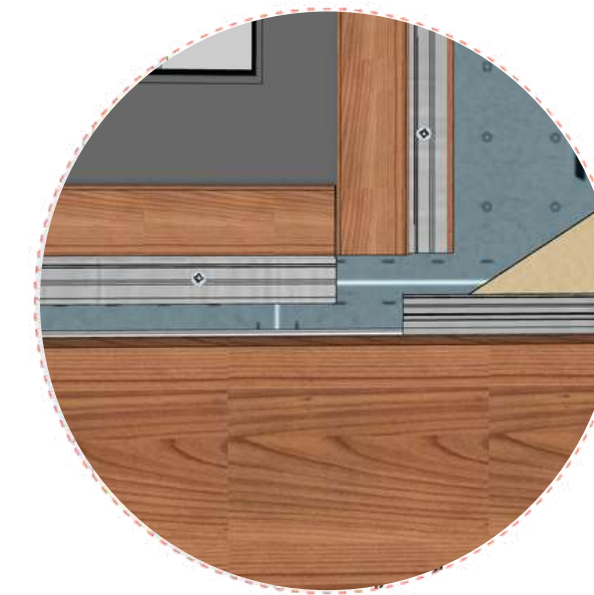
Apply the final Flat Cap.

Be sure to use a tool that will not damage the finish, when driving the Flat Cap into the Flat Cap Base.



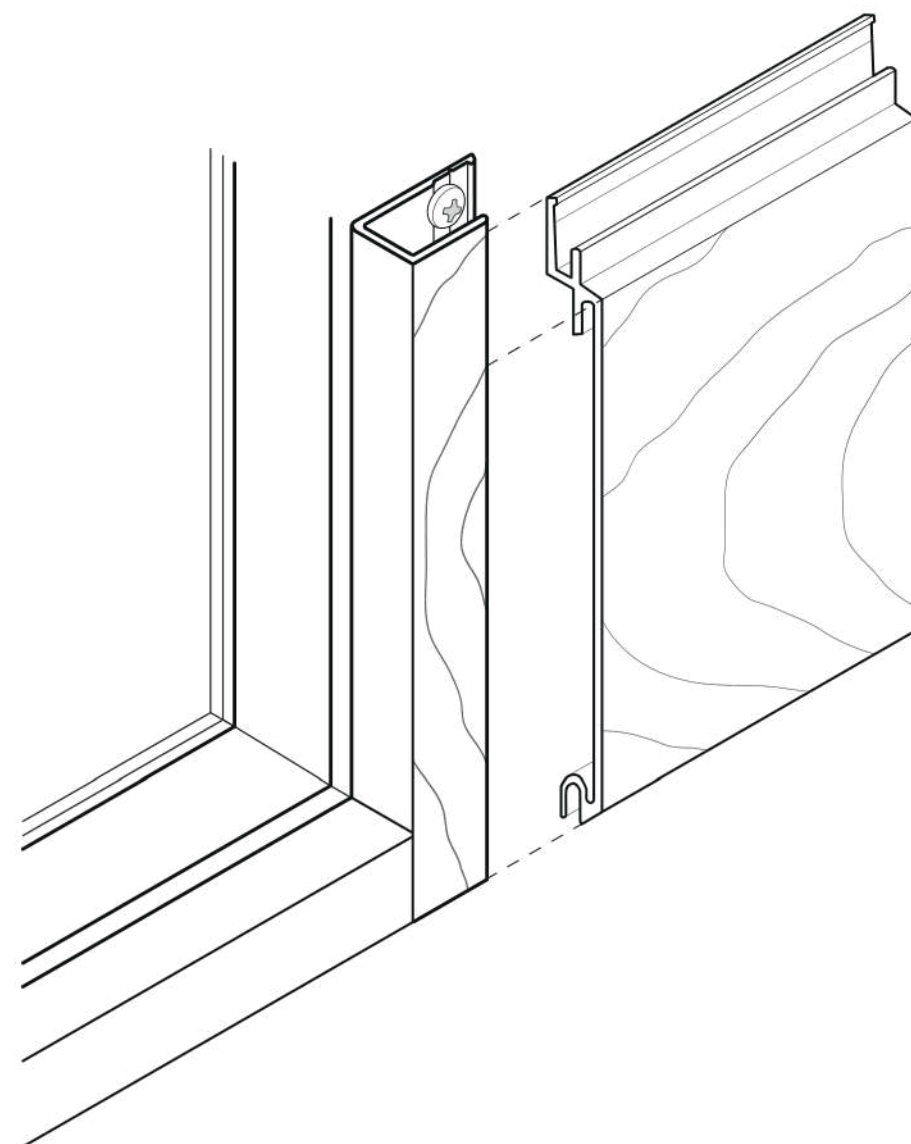
Cut out on the Trim

J-trim is used as a trim around windows, doors, or any other openings in the wall. This trim can also be used to finish runs of siding at tops and sides of walls, or as a corner reveal. Hard fastening the LUXYCLAD® J-Trims with #8 Pan Head Screws.

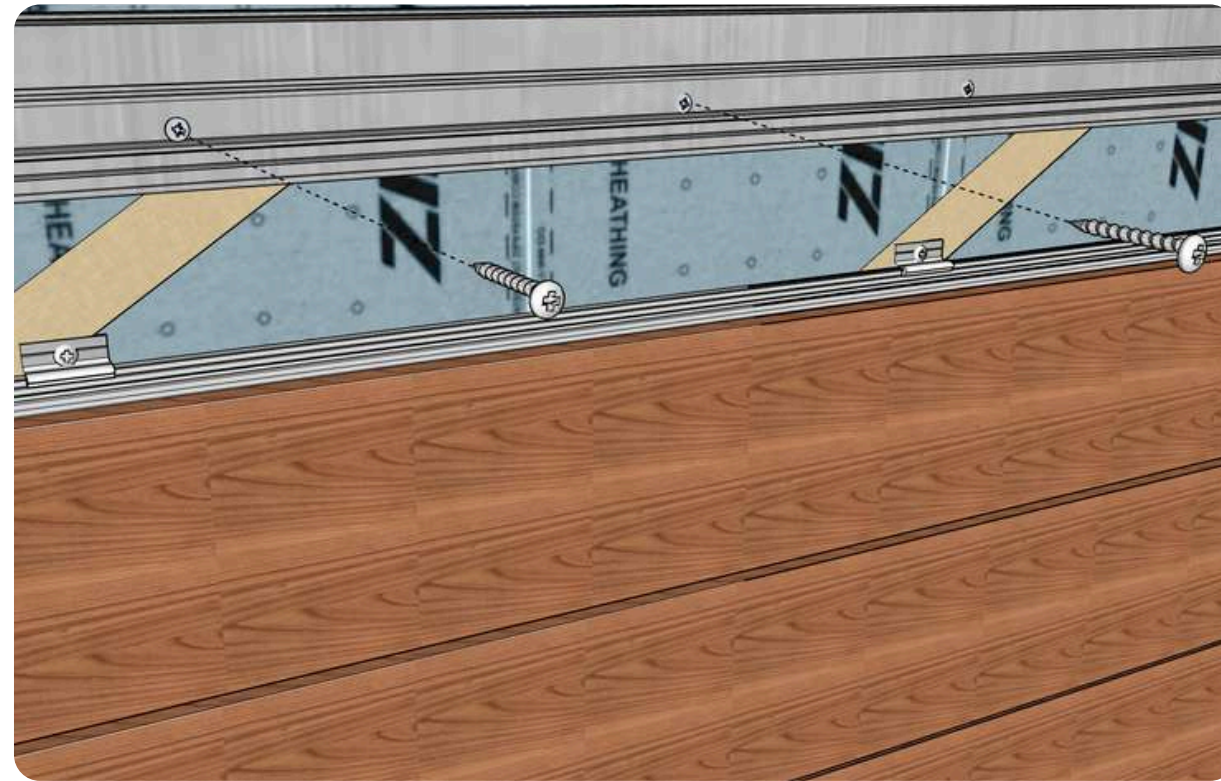
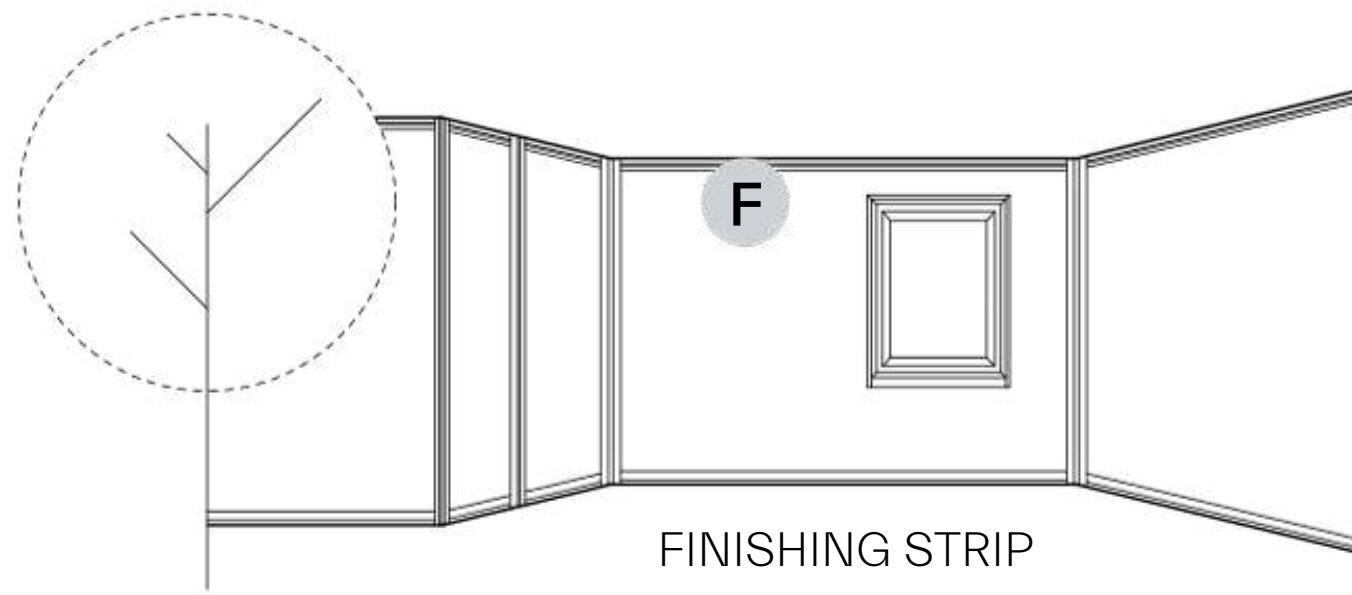


Secure the rain- screen clip, and then fasten the board with the rain-screen clip and screw.

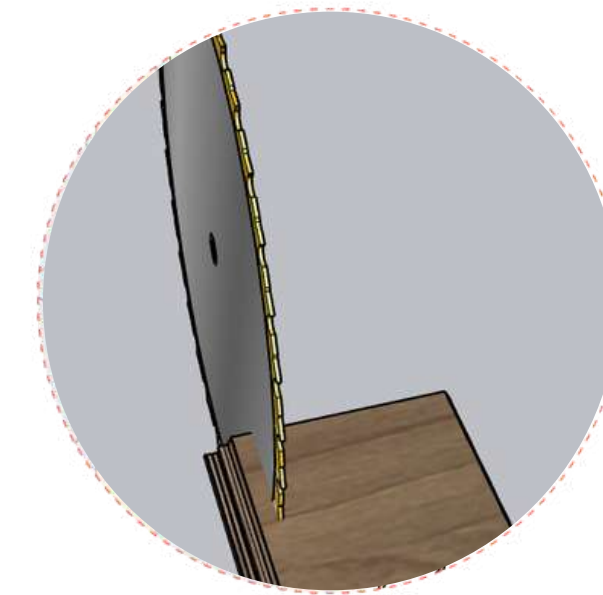
Note: Top support of first siding board must be cut to rest inside J-trim.



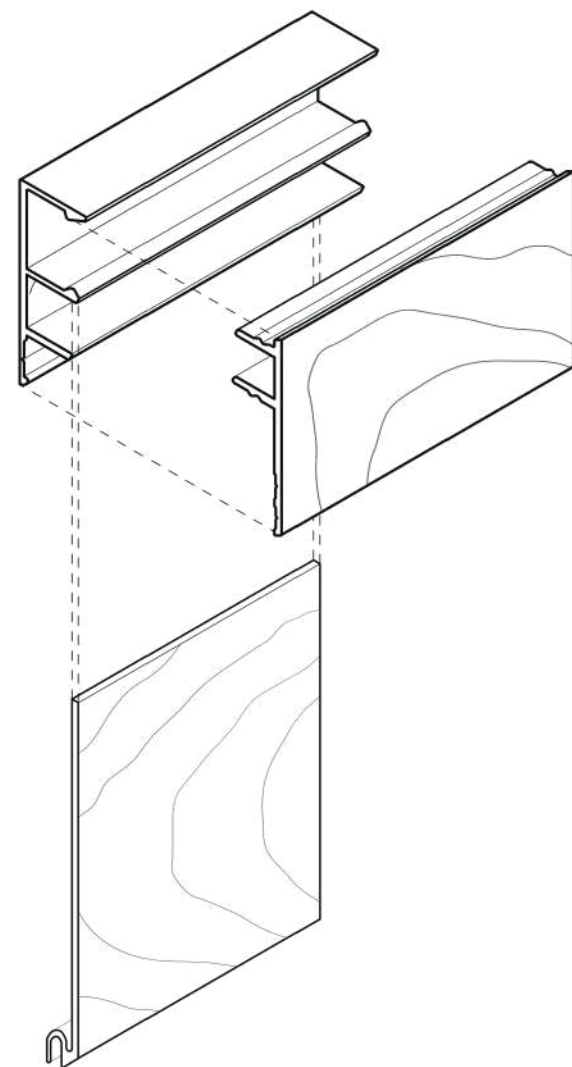
Continue with all the siding until completed.



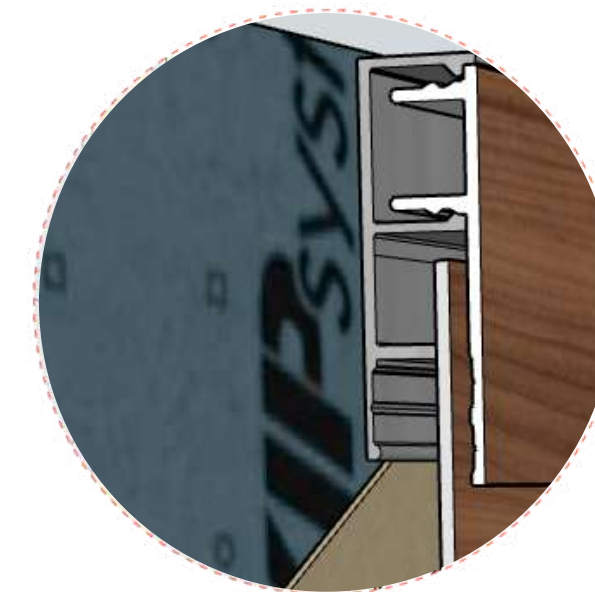
Once the wall and soffit are completed, hard fasten the finishing base and the final piece of siding.

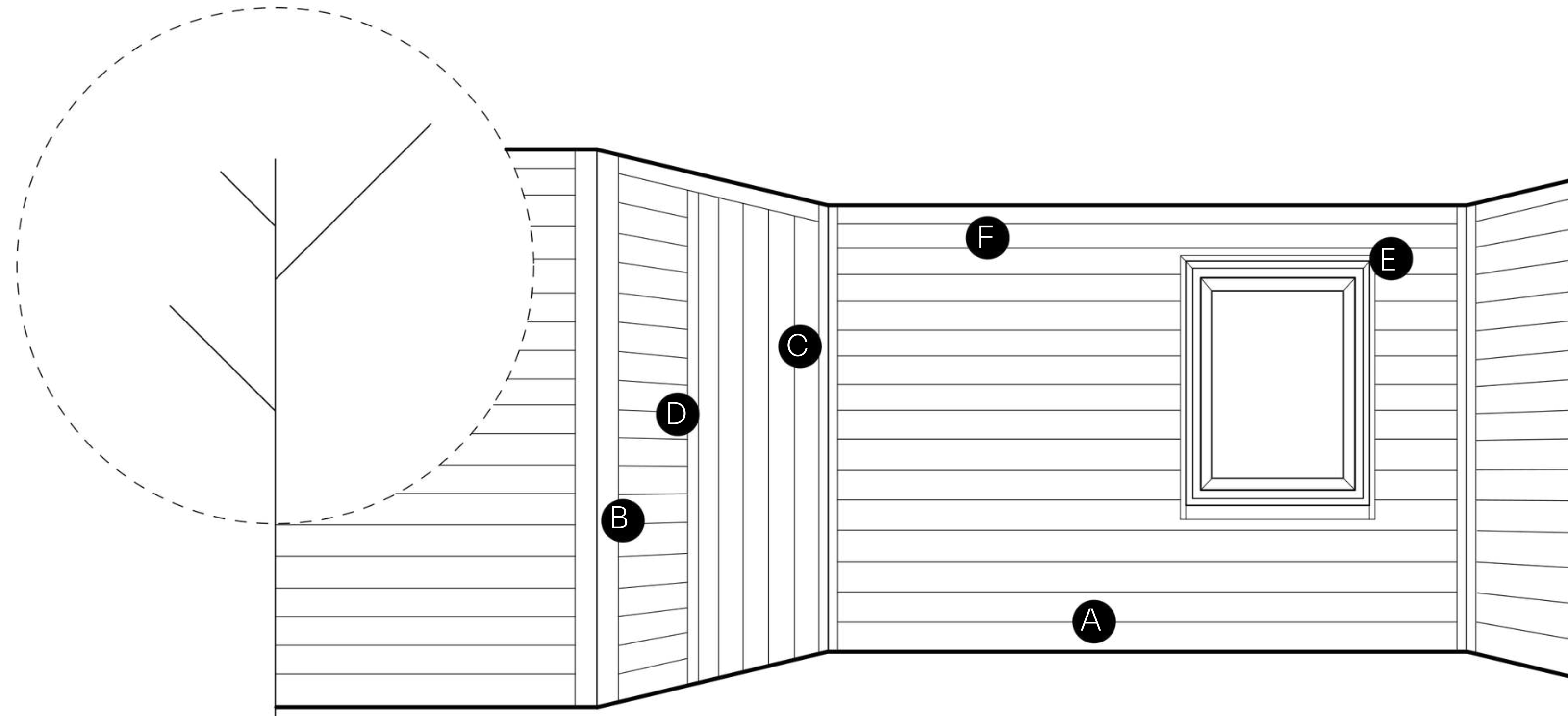


Note:
This last piece of siding may need to be ripped



Apply the final Finishing cap. Be sure to use a tool that will not damage the finish, when driving the Finishing cap into the Finishing base.





- A** STARTER STRIP & V-GROOVE SIDING
- B** OUTSIDE CORNER
- C** INSIDE CORNER
- D** FLAT CAP
- E** J-TRIM
- F** FINISHING CAP

- Start by hard fastening the LUXYCLAD® components and component bases: Starter Strips, J-trims, Flat Bases, and Inside/Outside Corner Bases.

Note: Starter strips must be installed with rain screen clips for proper ventilation, and hard fastened to ensure support of siding.

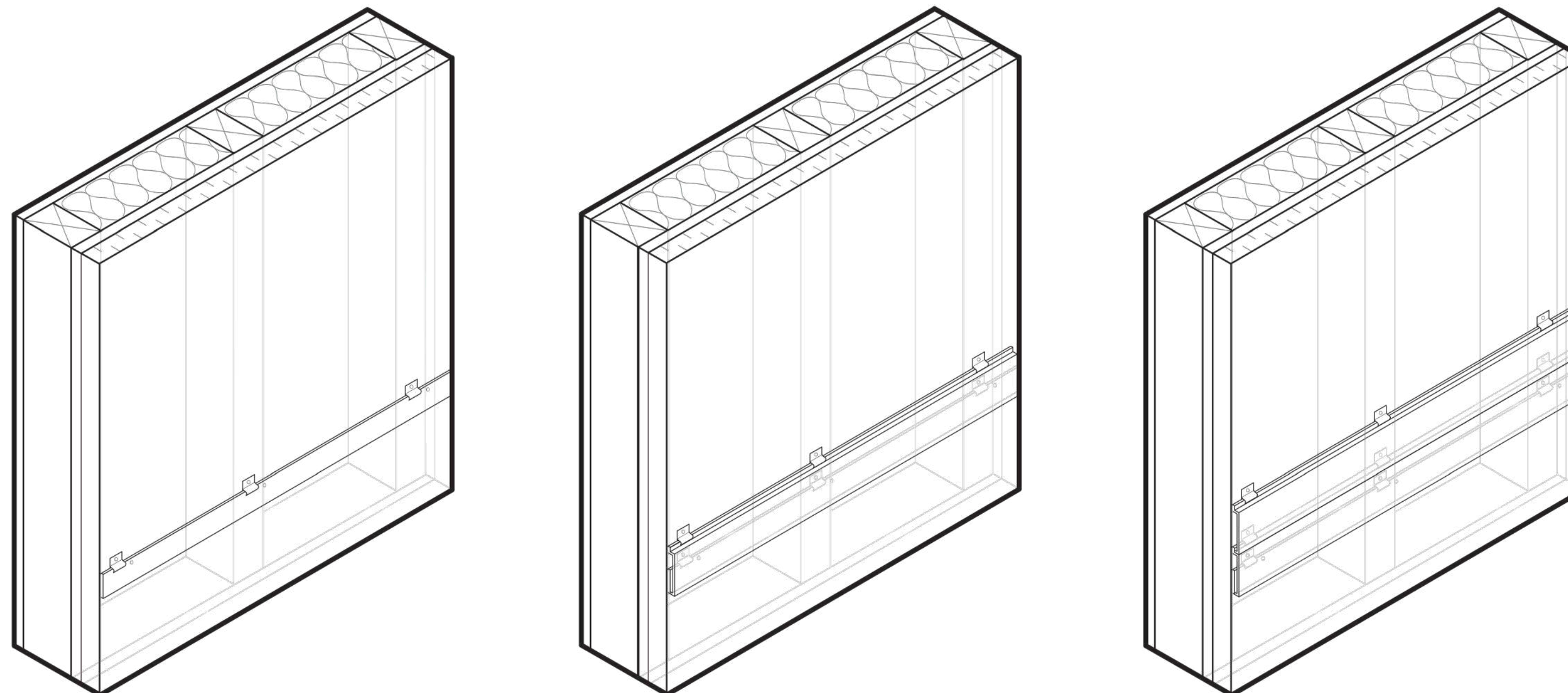
- Insert siding into the starter strip (ensuring that the female portion of the board is sitting in the male portion of the starter strip). Apply downward pressure on the board while securing the rain-screen clip, and then fasten the board with the rain-screen clip and screw.

- Continue with all the siding until completed.

- Once the wall and soffit are completed, hard fasten the finishing base and the final piece of siding. This last piece of siding may need to be ripped - ensure that the final board is tall enough to rest on the finishing strip support.

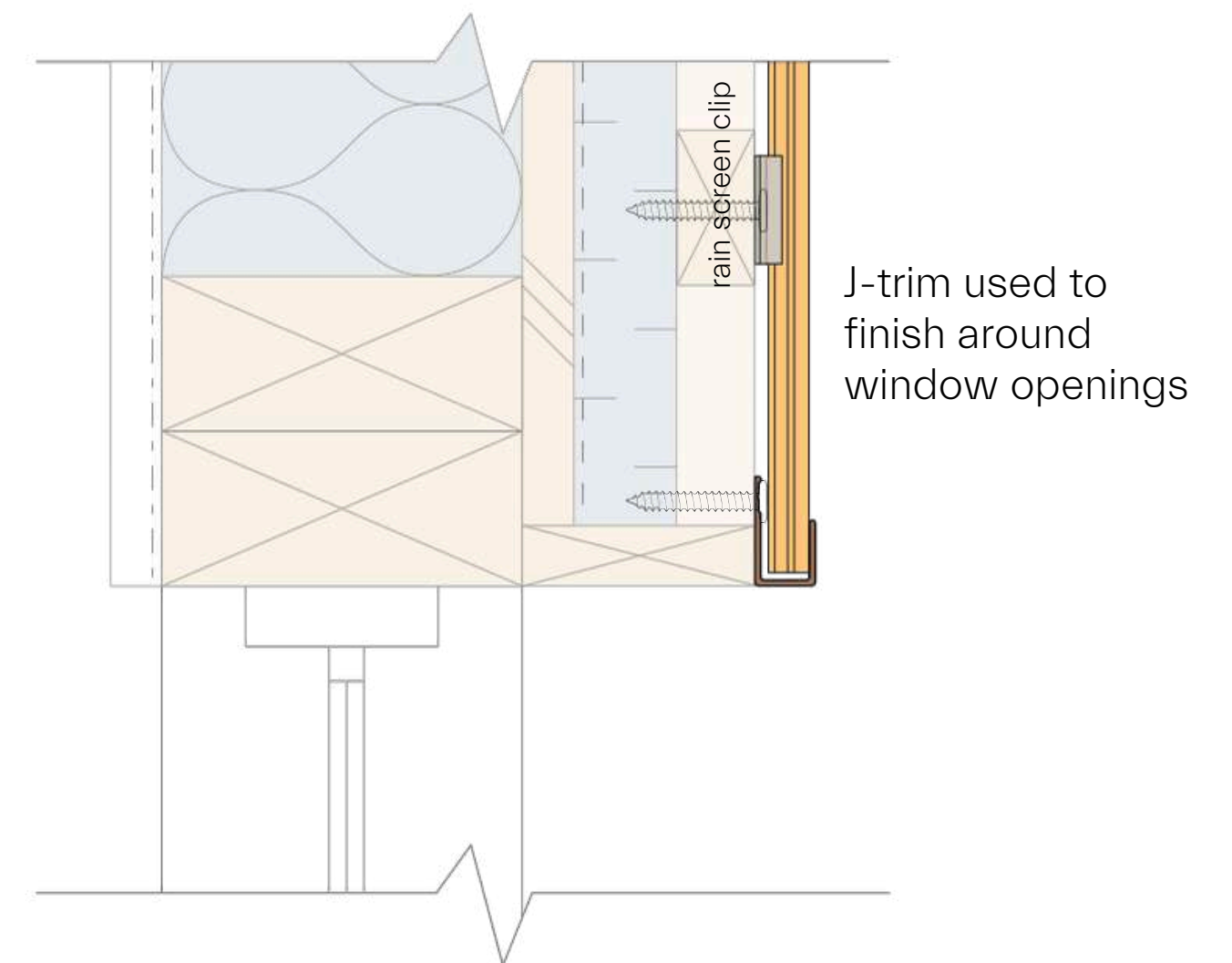
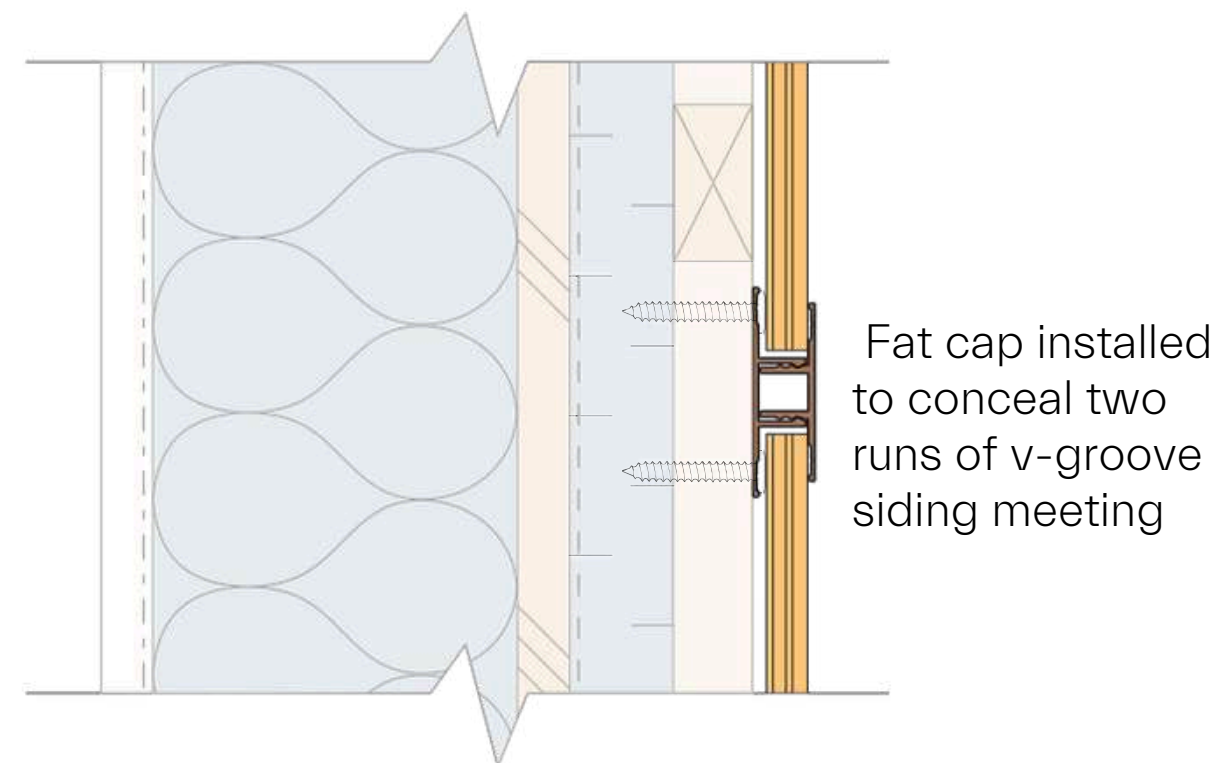
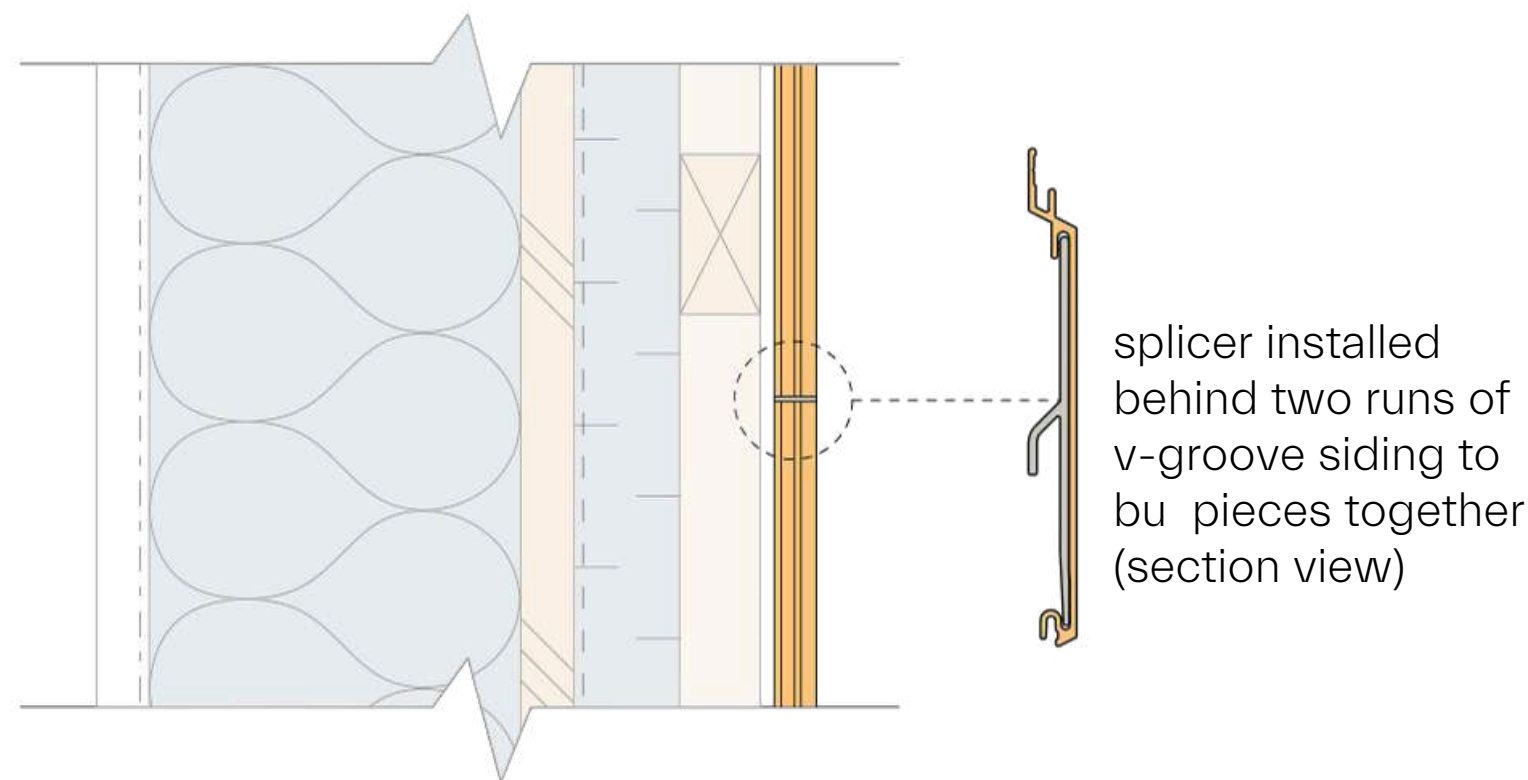
- Apply the final finishing cap. Be sure to use a tool that will not damage the finish, when driving the finishing cap into the finishing base.

- The stiffness of LUXYCLAD® allows for fastening at 32" O/C (on center). For high wind areas, it is recommended to increase the fastening spacing to 16" O/C (on center).



PLAN VIEW: WALL AT WINDOW WITH EXT. INSUL'N + HORIZONTAL SIDING

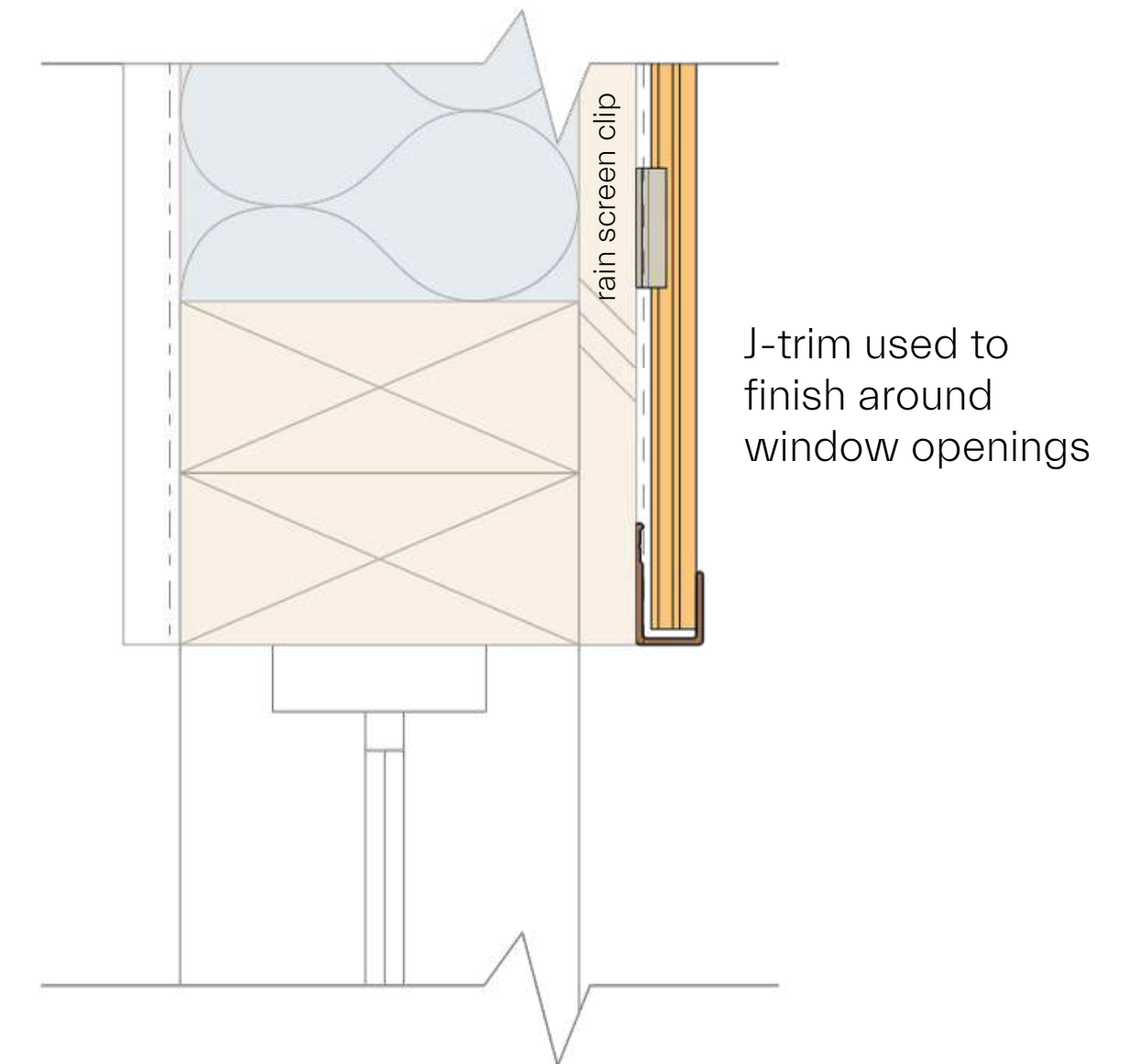
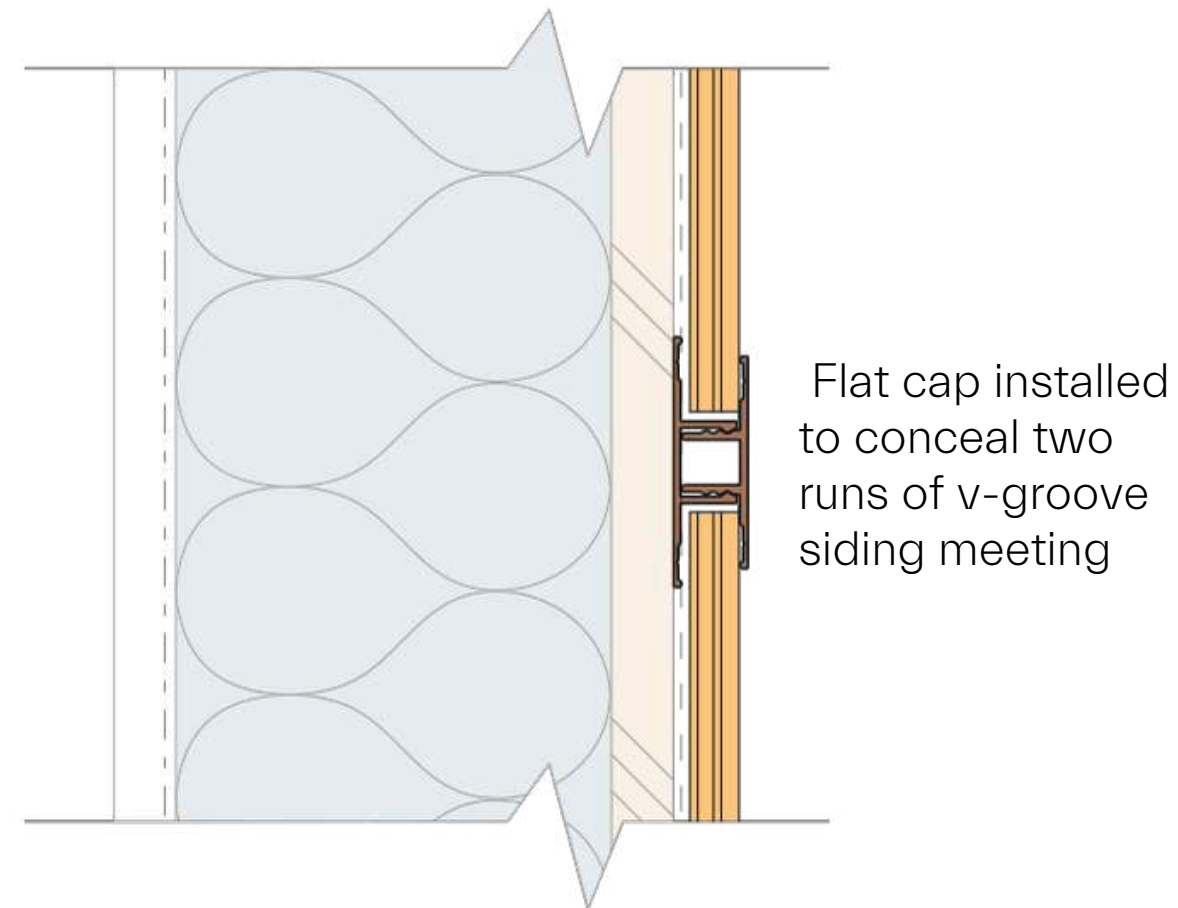
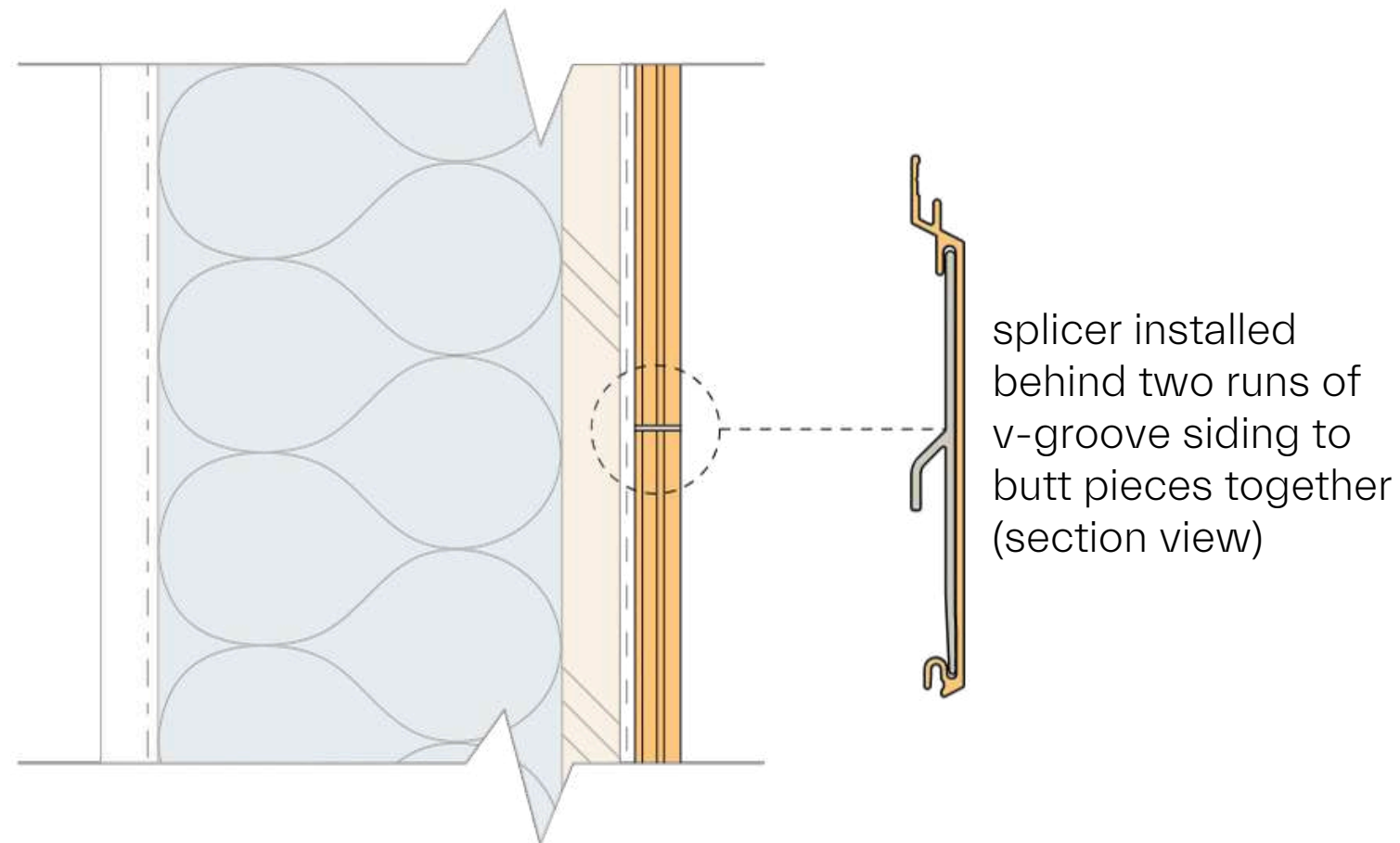
NOTE: Both starter strips + rain screen clips are to be hard fastened to wall. Horizontal siding installation begins with 1 starter strip at bottom of wall with siding continuing upward. Rain screen clips are recommended to be installed every 32" o/c. In high wind areas, rain screen clips are recommended to be installed every 16" o/c. Diagonal furring strips fastened to wall studs are recommended to allow for ventilation and structural stability, as well as exhibility in allowing siding installation in any direction.



WALL ASSEMBLY: drywall vapour barrier 2x6 stud wall with batt insulation exterior plywood sheathing air barrier exterior rigid insulation furring strips (diagonal recommended) rain screen clips cladding system

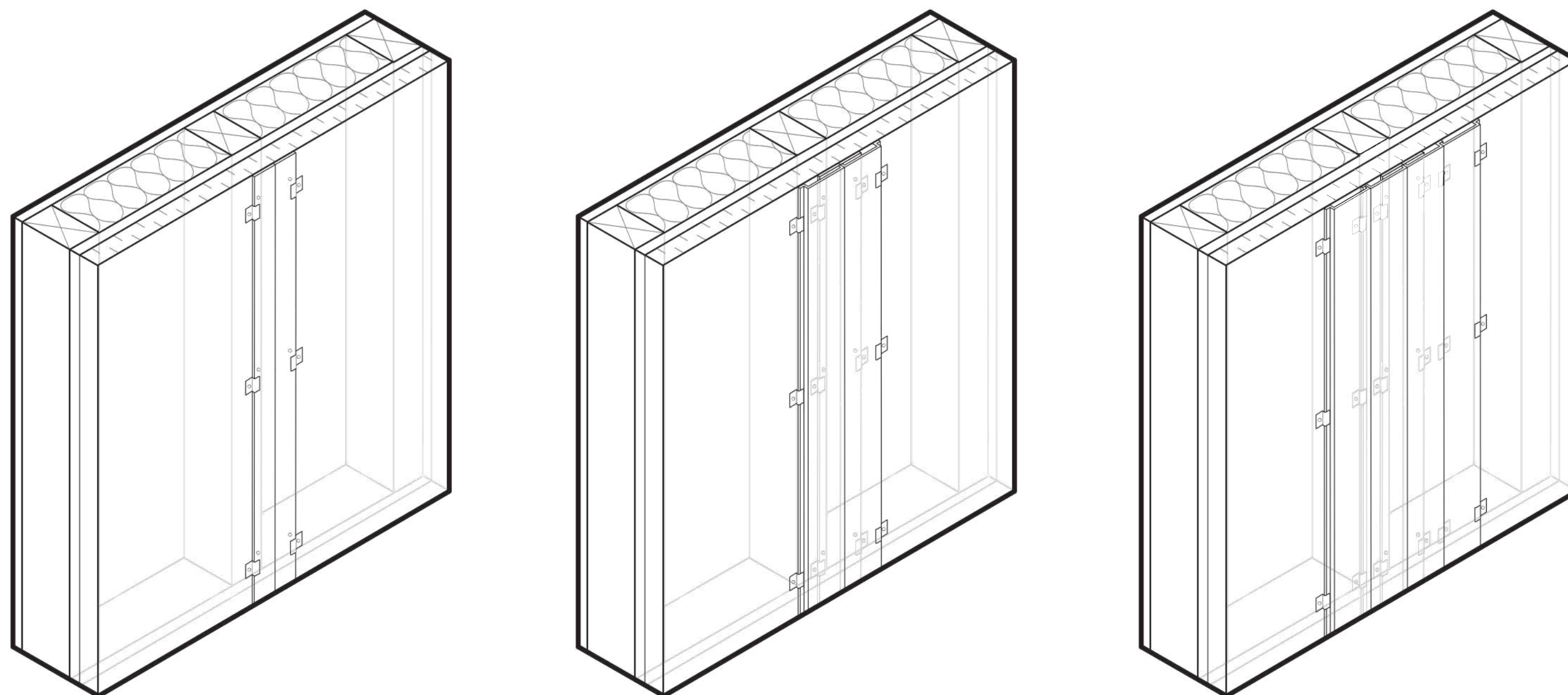
**PLAN VIEW: WALL AT WINDOW
HORIZONTAL SIDING**

NOTE: Both starter strips + rain screen clips are to be hard fastened to wall.
Horizontal siding installation begins with 1 starter strip at bottom of wall with siding continuing upward. Rain screen clips are recommended to be installed every 32" o/c. In high wind areas, rain screen clips are recommended to be installed every 16" o/c.



WALL ASSEMBLY: drywall vapour barrier 2x6 stud wall w/ ba insul'n ext. plywood sheathing air barrier rain screen clips cladding system

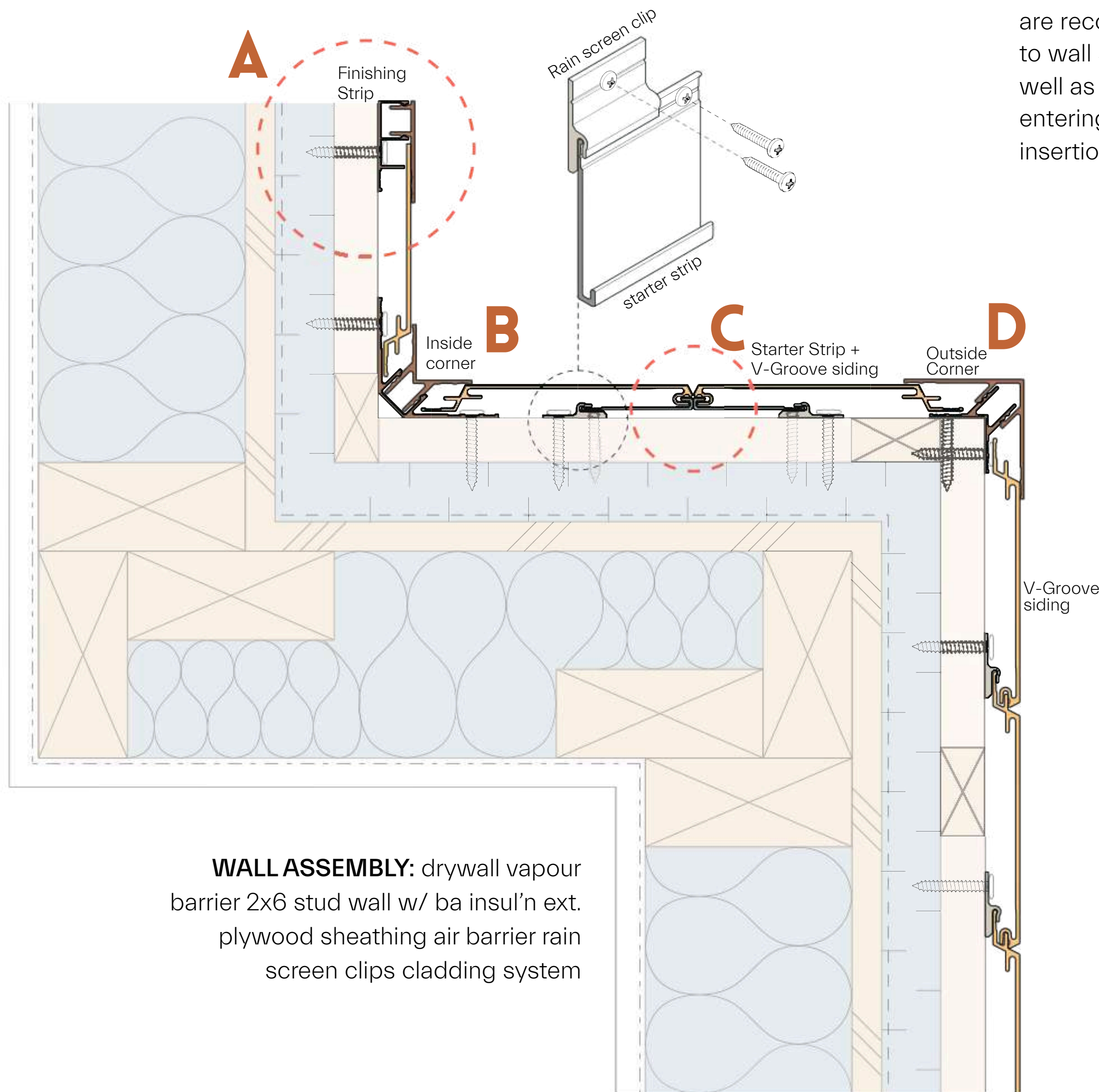
- **Vertical direction of siding has a similar installation method to horizontal applications, except this assembly starts in the middle of the wall and is built outward in either direction.**
- Start by hard fastening the LUXYCLAD® components and component bases: Starter Strips, J-trims, Flat Bases, and Inside/Outside Corner Bases.
Note: Starter strips must be installed with rain screen clips for proper ventilation, and hard fastened to ensure support of siding.
- Insert siding into the starter strip (ensuring that the female portion of the board is sitting in the male portion of the starter strip). Apply downward pressure on the board while securing the rain-screen clip, and then fasten the board with the rain-screen clip and screw.
- Continue with all the siding until completed.
- Once the wall and soffit are completed, hard fasten the finishing base and the final piece of siding. This last piece of siding may need to be ripped - ensure that the final board is wide enough to rest on the finishing strip support.
- Apply the final finishing cap. Be sure to use a tool that will not damage the finish, when driving the finishing cap into the finishing base.
- The stiffness of LUXYCLAD® allows for fastening at 32" O/C (on center). For high wind areas, it is recommended to increase the fastening spacing to 16" O/C (on center). Diagonal or horizontal strapping/furring strips are recommended to establish a base to adhere vertical siding to.



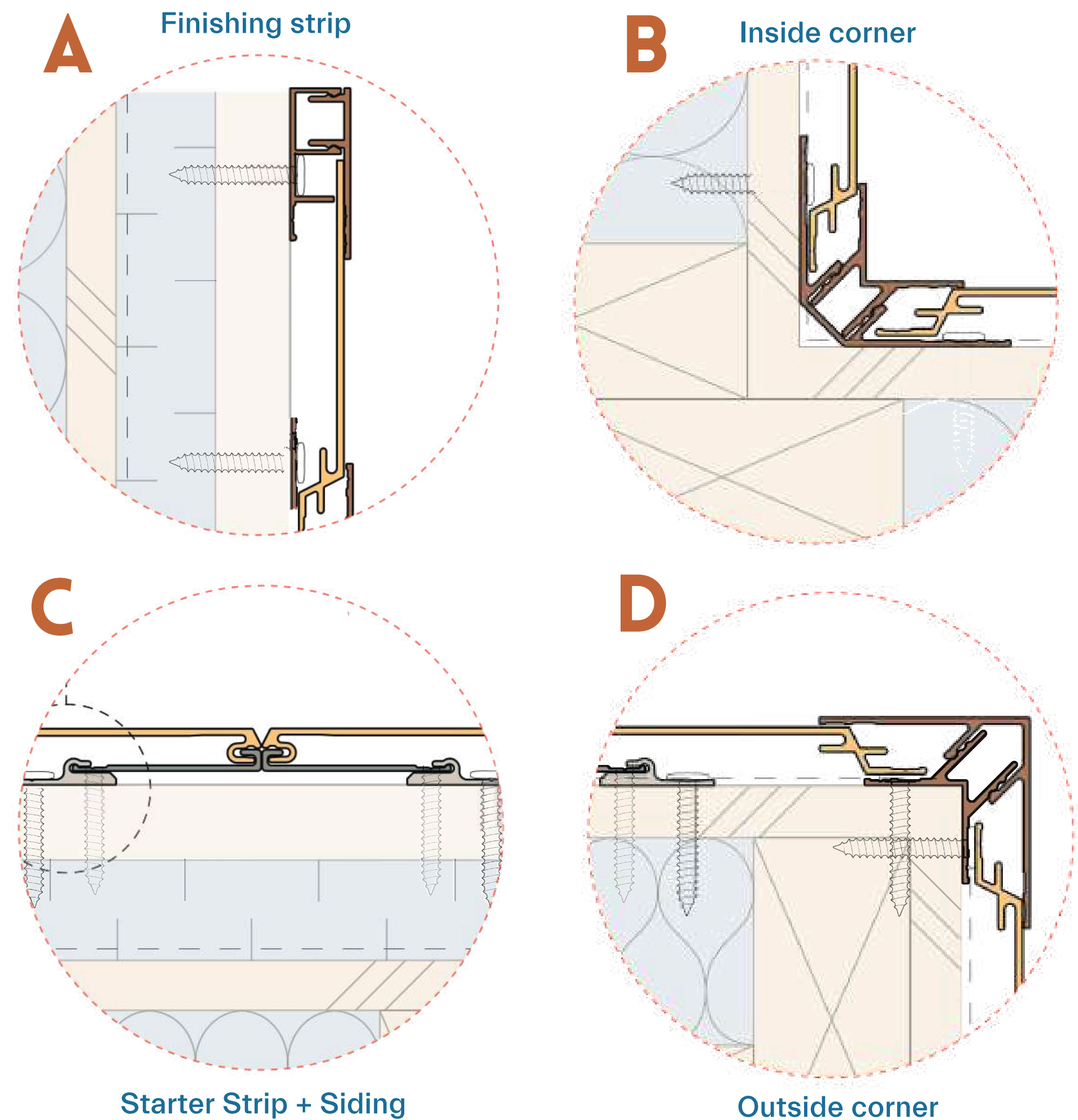
Plan view: WALL AT CORNER WITH EXT. INSUL'N + VERTICAL SIDING

NOTE: Both starter strips + rain screen clips are to be hard fastened to wall.

Vertical siding installation begins with 2 starter strips back to back at centre of wall with siding continuing outward in both directions. Rain screen clips are recommended to be installed every 32" o/c. In high wind areas, rain screen clips are recommended to be installed every 16" o/c. Diagonal furring strips fastened to wall studs are recommended to allow for ventilation and structural stability, as well as flexibility in allowing siding installation in any direction. Pieces of siding entering nishing strips are to be ripped along the top to allow for proper insertion into trim piece.



WALL ASSEMBLY: drywall vapour barrier 2x6 stud wall w/ ba insul'n ext. plywood sheathing air barrier rain screen clips cladding system



Starter Strip + Siding

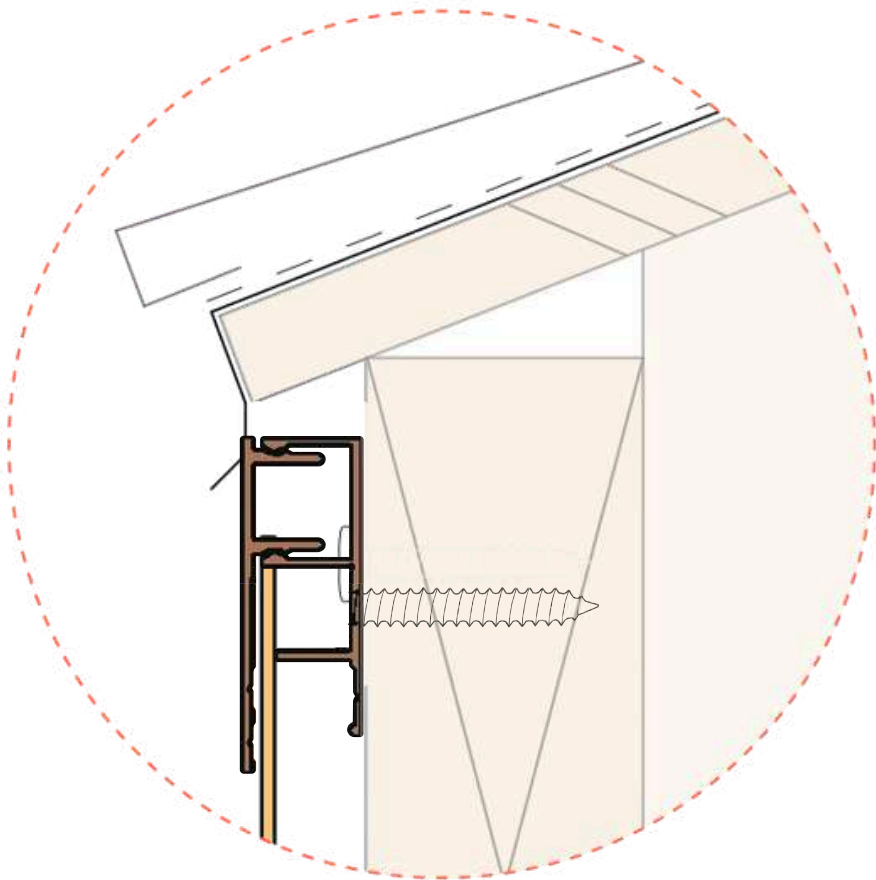
Outside corner

- Install all starter strips, J trims, and corner pieces before installing LUXYCLAD® cladding profiles. On very short runs, using a more precise cut may be necessary, as the profile cannot be flexed into the area between two trim pieces.
- Press the starter strip against the fascia.
- Insert the soffit (female profile) onto the male starter strip, and fasten with a clip and screw.
- Insert the integrated venting strip (female profile) onto the male soffit profile, and fasten with clip and screw. **Note: Some applications benefit from applying black building paper to the framing material above the vent area to reduce the visibility of framing lumber through the vent.**
- Continue with the soffit until completed.
- The final soffit piece may need to be ripped. Use the finishing strip snap component to finish the run.
- The LUXYCLAD® perforated vent provides 84" of NVA (Net Ventilated Area) per 12' stock length. Ensure adequate venting is used as per code requirements. **Note: 21 lineal ft. = 1 sqft. of Net Vent Area perpendicular to house soffit installation.**
- Center two starting strips between fascias and fasten through the flange.
- Insert the soffit (female profile) onto the male starter strip, and fasten through the flange.
- Build outward towards fascia corners.
- Install adequate amount of integrated venting strips to meet local building codes.

Section view: WALL AT SOFFIT WITH EXT. INSUL'N + GABLE ROOF

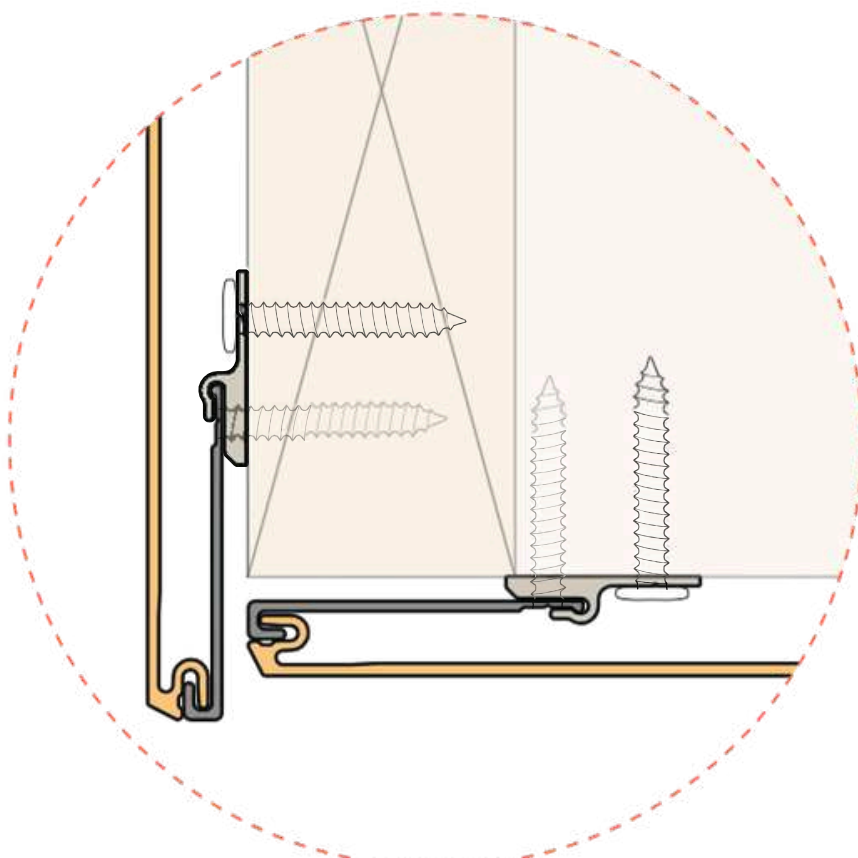
NOTE: Both starter strips + rain screen clips are to be hard fastened to wall. Horizontal siding installation begins with 1 starter strip at bottom of wall with siding continuing upward. Rain screen clips are recommended to be installed every 32" o/c. In high wind areas, rain screen clips are recommended to be installed every 16" o/c. Diagonal furring strips fastened to wall studs are recommended to allow for ventilation and structural stability, as well as flexibility in allowing siding installation in any direction. Pieces of siding entering nishing strips are to be ripped along the top to allow for proper insertion into trim piece.

A



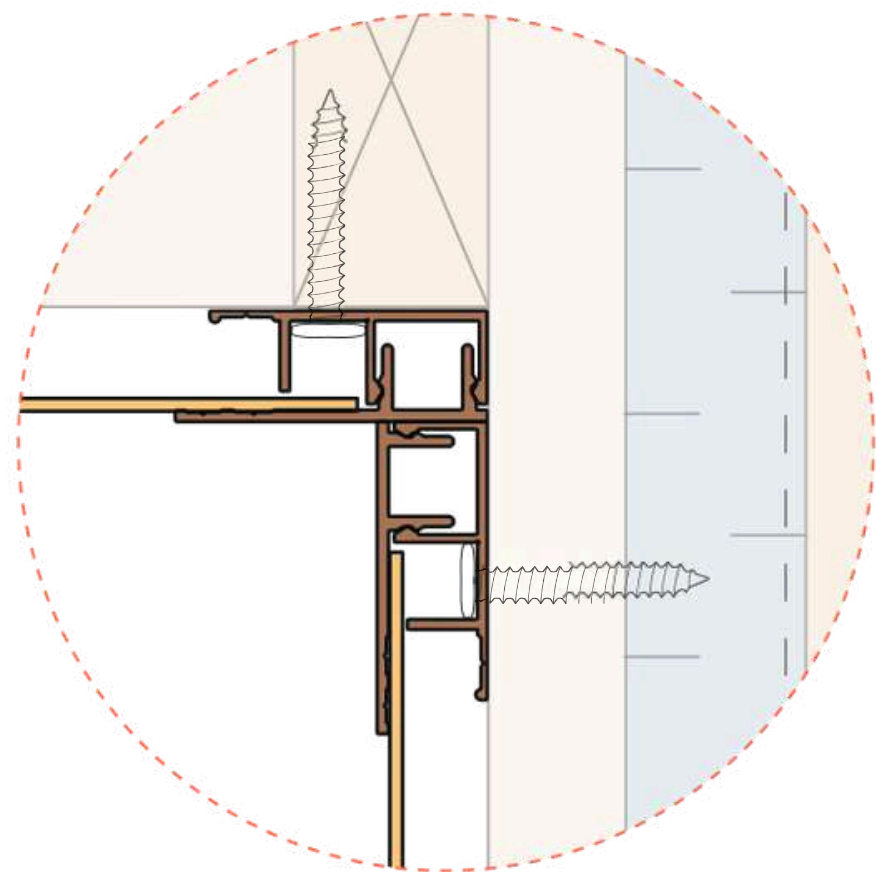
Finishing strip at top of fascia

B

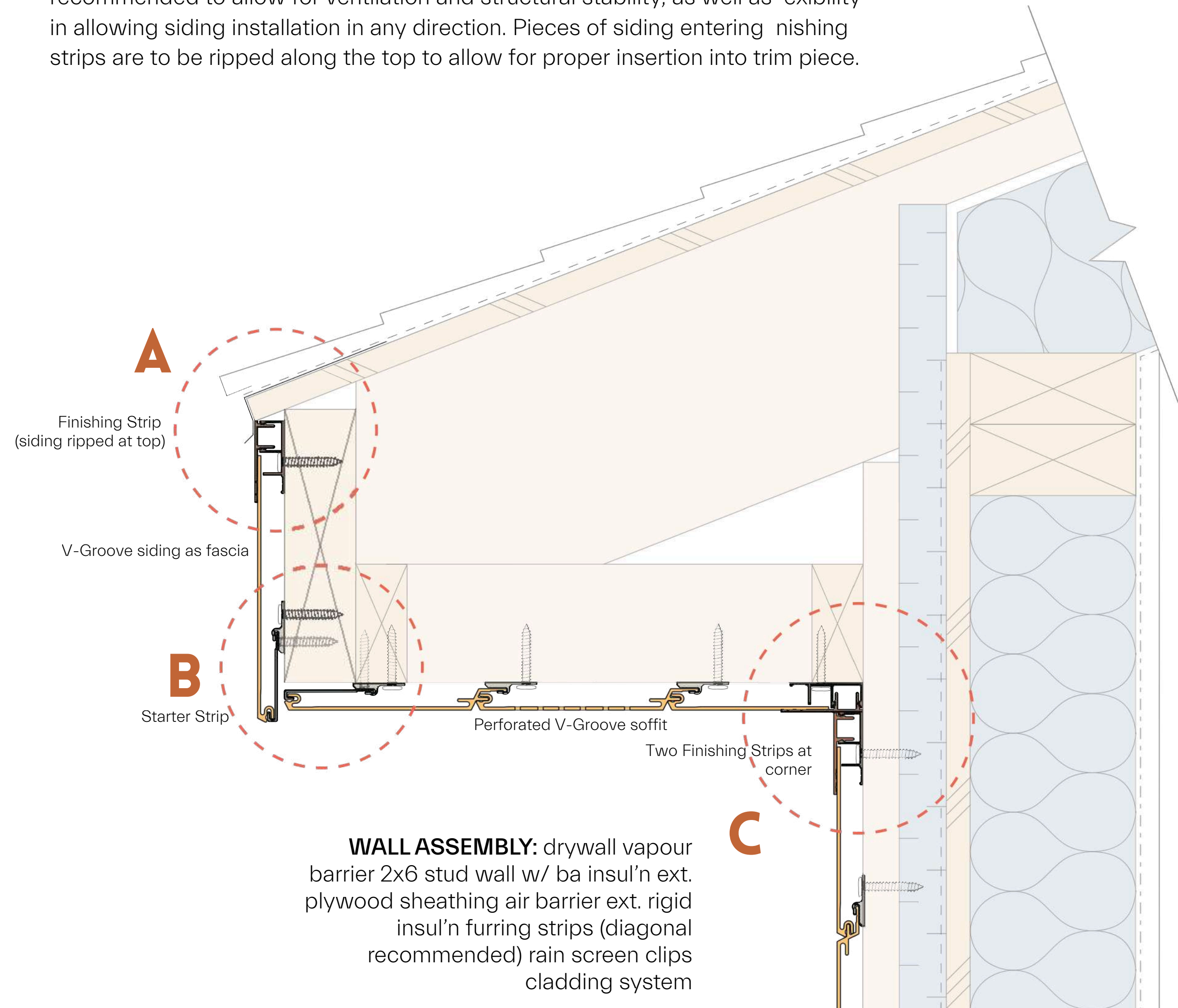


Drip edge created by starter strips + siding

C



Back to back finishing strips used in soffit to wall corner transition

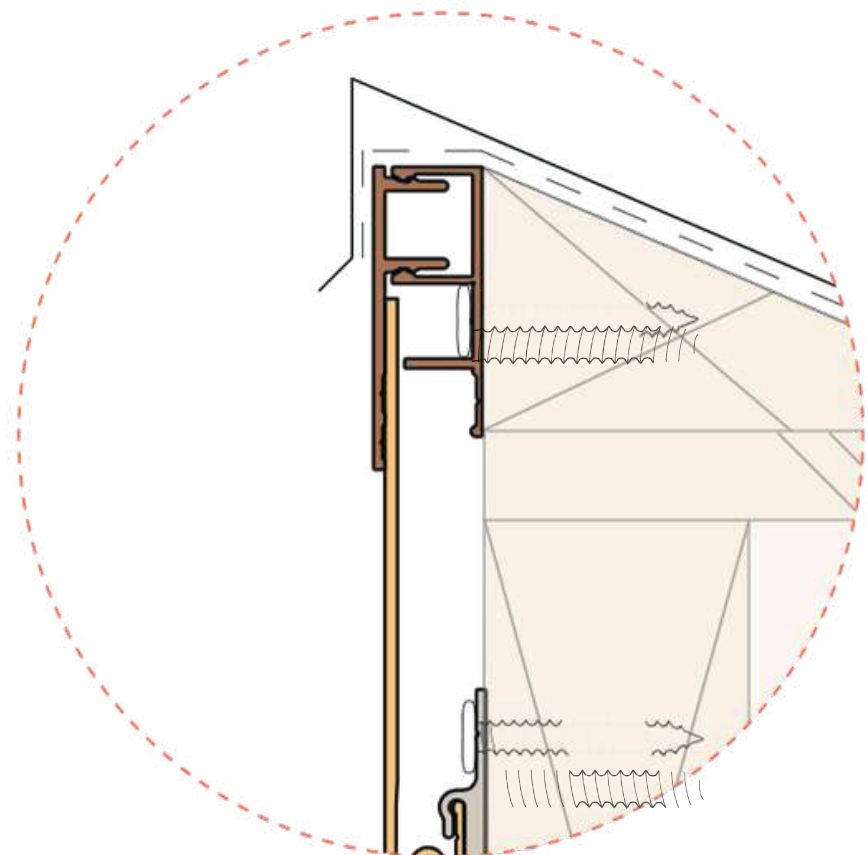


WALL ASSEMBLY: drywall vapour barrier 2x6 stud wall w/ ba insul'n ext. plywood sheathing air barrier ext. rigid insul'n furring strips (diagonal recommended) rain screen clips cladding system

Section view: WALL AT SOFFIT FLAT ROOF

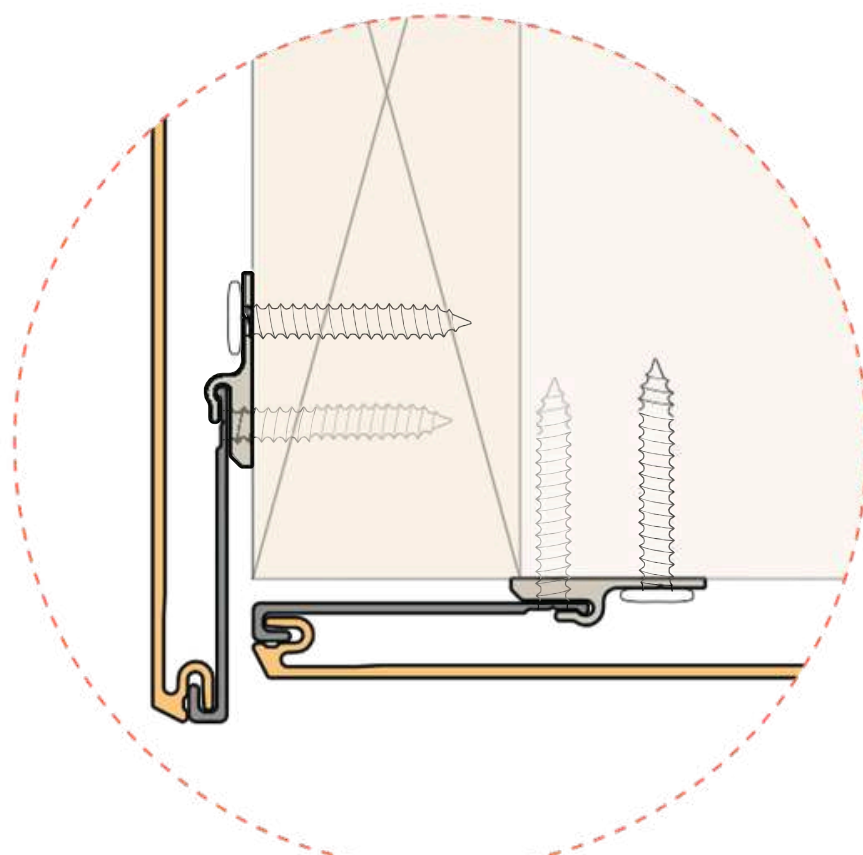
NOTE: Both starter strips + rain screen clips are to be hard fastened to wall. Horizontal siding installation begins with 1 starter strip at bottom of wall with siding continuing upward. Rain screen clips are recommended to be installed every 32" o/c. In high wind areas, rain screen clips are recommended to be installed every 16" o/c. Pieces of siding entering nishing strips are to be ripped along the top to allow for proper insertion into trim piece.

D



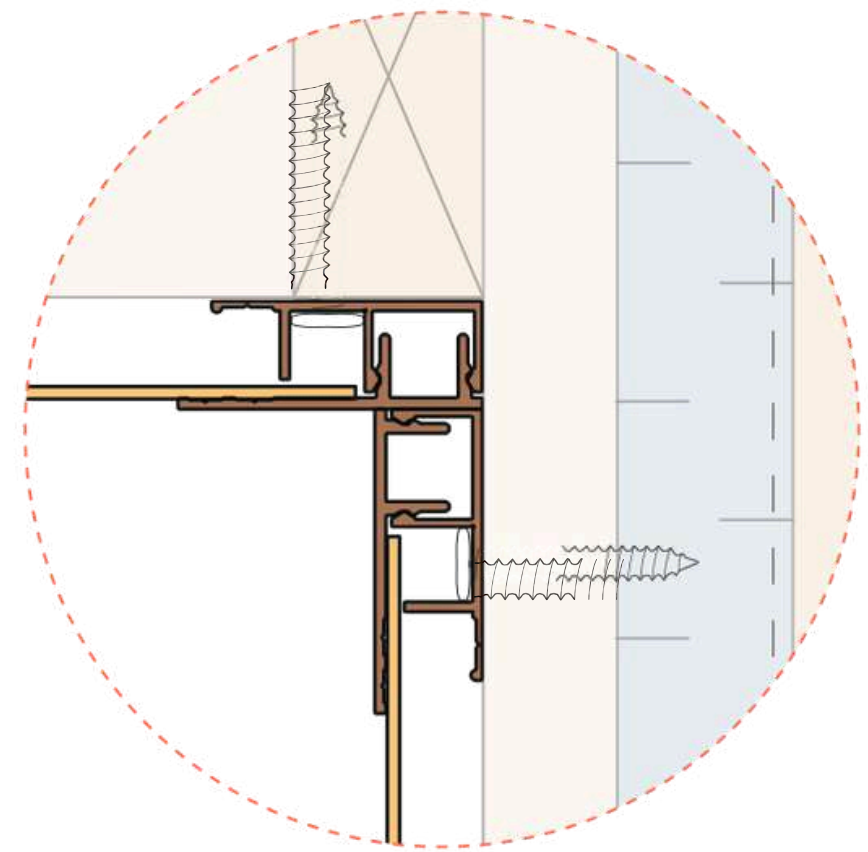
Finishing strip at top of fascia

E



Drip edge created by starter strips + siding

F



Inside corner used for soffit to wall corner transition

D

Finishing Strip (siding ripped at top)

V-Groove siding as fascia

E

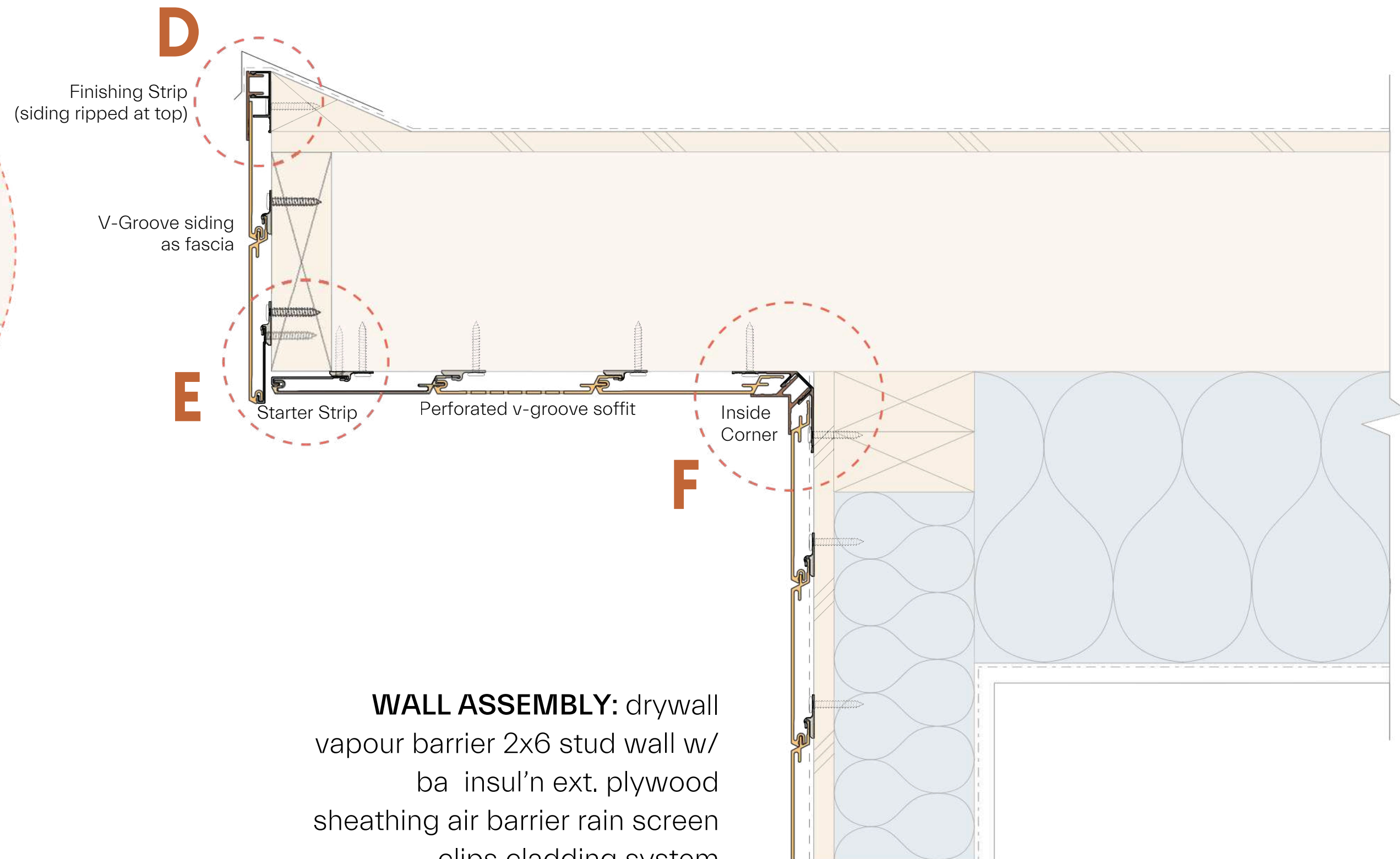
Starter Strip

Perforated v-groove soffit

Inside Corner

F

WALL ASSEMBLY: drywall
vapour barrier 2x6 stud wall w/
ba insul'n ext. plywood
sheathing air barrier rain screen
clips cladding system



LUXYCLAD[®] Aluminum
Architectural
Systems

THANK YOU

FOR MORE PRODUCT INFORMATION
VISIT OUR WEBSITE



76 RIDLEY ROAD
ST CATHARINES ON L2S 3Y8



1 (877)-255-1022
info@luxyclad.com